

IMRJ45/8/V



RJ45 Module with Vertical RJ45 Connector

- Ease of connection with the use of standard screw connection Terminal Blocks.
- Mounting Options available: DIN Rail mounting & Panel mounting.
- Housed in V0 fire retardant grade PVC mounting track.
- Possibility of having standard / cross
- over connection using the same module.
- Modules are also available with shielded RJ45 connectors.

TECHNICAL DATA

Ambient Operating Temperature	-20 to +50 °C
Mounting Possibility	DIN32 / DIN35 / DIN35-15 / PANEL
Housing Material	PVC / V0 Grade
Housing Colour	Green

RJ45 CONNECTOR ORIENTATION

Orientation	vertical
Material	0.23 thickness Brass with Nickel Plating
Internal Dia.	phosphor Bronze (internal Dia. 0.46mm)
Plating	Gold Flash Plating Over Nickel
Current Rating	1.5 A
Voltage Rating	125 VAC

CONNECTION SPECIFICATIONS

Type of Connection	Screw Connection
Min. Wire Size	0.5 mm ²
Max. Wire Size	2.5 mm ²
Min. Wire Size(AWG)	30 AWG
Max. Wire Size(AWG)	14 AWG
Wire Stripping Length	8.3 mm
Torque	0.5 Nm
Torque	4.5 lb-in

ORDERING INFORMATION

CAT. NO.	DESCRIPTION	NO. OF CHN.	DIM. DET.	STD. PACK
IMRJ45/8/V	RJ45 module with vertical Non-Shielded RJ45 Connector Rail mount	1	30 X 88 X 65	5

ACCESSORIES

IMAGES	CAT. NO.	DESCRIPTION	STD. PACK
	CA501-1M	Din 32 Rail unslotted 1 meter	50
	CA501-1M-S	Din 32 Rail slotted 1 meter	50
	CA501-2M	Din 32 Rail unslotted 2 meter	50
	CA501-2M-S	Din 32 Rail slotted 2 meter	50

ACCESSORIES

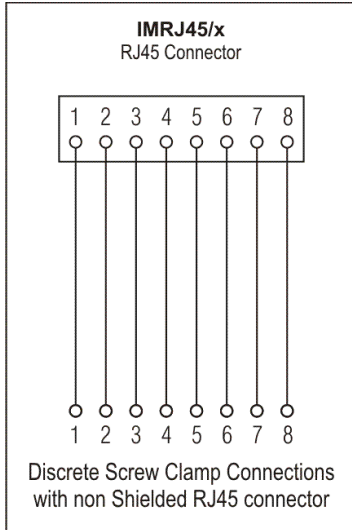
IMAGES	CAT. NO.	DESCRIPTION	STD. PACK
	CA701-1M	Din 35 Rail unslotted 1 meter	50
	CA701-2M	Din 35 Rail unslotted 2 meter	50
	CA701-2M-S	Din 35 Rail slotted 2 meter	50
	CA701-1M-S	Din 35 Rail slotted 1 meter	50
	CA701-15-1M	Din 35 Rail 15 deep unslotted 1 meter	50
	CA701-15-1M-S	Din 35 Rail 15 deep slotted 1 meter	50
	CA701-15-2M	Din 35 Rail 15 deep unslotted 2 meter	50
	CA701-15-2M-S	Din 35 Rail 15 deep slotted 2 meter	50
	CA509/K2	Marking Tag Blank suitable for CDL4U / CDL4U(I.S) / CTL2.5U / CTL2.5UH / CTL2.5UL / CTL2.5HUL / CTL2.5U(I.S) / CTL2.5U(I.S)D2 / CGMT4 / CSFL4U / CSFL4U(L) / CMT4 / CMB4 / ASF4 / ASF4(L) / CTS2.5(100
	SCS0.5/3	Electricians Screwdriver for slotted screws	10

IMRJ45/8/V



connectwell
THE RIGHT CONNECTION

CIRCUIT DIAGRAM



NOTES

* RJ45 cable available on request.

** Module Lengths mentioned are for RAIL Mounting option only. The lengths may vary for PANEL Mounting

*** PANEL Mounting modules are available on request. Please use the suffix -P with the cat. no. for ordering.