

CSR1S-
12UYA



connectwell
THE RIGHT CONNECTION

Slim Relay Module 1CO 12VUC

- Compact 6.0mm thin design.
- Variety of Operating Voltages.
- High switching current: up to 6A at 250VAC
- Low coil power consumption: 175 mW.
- LED Indication on Coil activation.
- No requirement on polarity of input voltage (except 5 VDC & 24VDC Relay).
- Possibility of Jumpering up to 8 channels with a single link.
- Easy Legibility marker
- Choice of Pluggable Electromechanical Relays Or Solid State Relays.
- Choice of Screw & Spring Clamp Connection
- Special Snubber based Slim Relays are Available.
- Integrated Input Protection.

TECHNICAL DATA

Bussing Possibility	By Using Push in Jumper
Relay on Indication	3mm Green LED
Ambient Operating Temperature	-40 to +55 °C
Mounting Possibility	DIN 35/DIN 35-15 Rail
Housing Material	PA 6,6
Housing Colour	Grey
Rated Voltage	12 V

RELAY INPUT / COIL SPECIFICATIONS

Nominal Operating Voltage	12 V
Nominal Input Current	14.16 mA
Maximum Operating Voltage	18 VDC
Must Operate Voltage	9 VDC
Must Release Voltage	0.6 VDC
Nominal Input Power	170 mVA

RELAY OUTPUT/CONTACT SPECIFICATIONS

Contact Type	1 CO
Contact Material	AgNi
Contact Resistance	100 m ohms at 1A 6 VDC
Rated Contact Current (Resistive Load)	6 A
Rated Current	6 A
Load Voltage Range	400 VAC, 125 VDC at Reduced Load
Maximum Switching Power	1500 VA, 180W

CONNECTION SPECIFICATIONS

Type of Connection	Screw Connection
--------------------	------------------

CONNECTION SPECIFICATIONS

Wire Stripping Length	10 mm
Torque	0.4 Nm
Torque	7 lb-in
Approvals	UL, CE
Min. Wire Size - Stranded(mm2)	0.2 mm ²
Max. Wire Size - Stranded(mm2)	2.5 mm ²
Min. Wire Size - Stranded(AWG)	24 AWG
Max. Wire Size - Stranded(AWG)	12 AWG
Min. Wire Size - Solid	0.2 mm ²
Max. Wire Size - Solid	2.5 mm ²
Min. Wire Size - Solid(AWG)	24 AWG
Max. Wire Size - Solid(AWG)	12 AWG

ORDERING INFORMATION

CAT. NO.	DESCRIPTION	NO. OF CHN.	DIM. DET.	STD. PACK
CSR1S-12UYA	1CO 12VUC Single Channel Slim Relay Module With Pluggable Relay Rail Mount	1	6 x 94.5 x 96	10

ACCESSORIES

IMAGES	CAT. NO.	DESCRIPTION	STD. PACK
	CA701-1M	Din 35 Rail unslotted 1 meter	50
	CA701-2M	Din 35 Rail unslotted 2 meter	50
	CA701-2M-S	Din 35 Rail slotted 2 meter	50
	CA701-1M-S	Din 35 Rail slotted 1 meter	50

CSR1S-12UYA

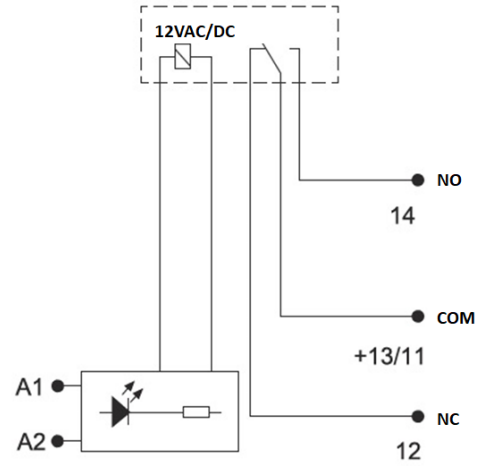


connectwell
THE RIGHT CONNECTION

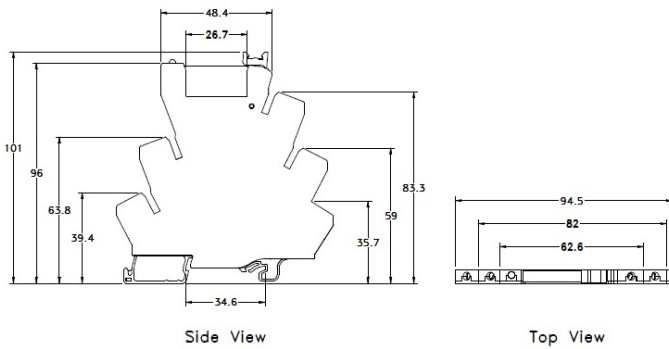
ACCESSORIES

IMAGES	CAT. NO.	DESCRIPTION	STD. PACK
	CA701-15-1M	Din 35 Rail 15 deep unslotted 1 meter	50
	CA701-15-1M-S	Din 35 Rail 15 deep slotted 1 meter	50
	CA701-15-2M	Din 35 Rail 15 deep unslotted 2 meter	50
	CA701-15-2M-S	Din 35 Rail 15 deep slotted 2 meter	50
	SCS0.5/3	Electricians Screwdriver for slotted screws	10
	CA509/K6	Blank Marking Tag	100
	JX4/2	Shorting Link for 6 mm wide TB	100
	JX4/3	Shorting Link for 6 mm wide TB	50
	JX4/4	Shorting Link for 6 mm wide TB	50
	JX4/5	Shorting Link for 6 mm wide TB	50
	JX4/8	Shorting Link for 6 mm wide TB	10
	JX4/10	Shorting Link for 6 mm wide TB	10
	JX4/16	Shorting Link for 6 mm wide TB	10

CIRCUIT DIAGRAM



PRODUCT DRAWING



NOTES

Protection Degree:IP20
Pollution Degree 2
Over voltage / Surge voltage category-III
Relay operating time ≤ 8 (msec)
Relay release time ≤ 4(msec)

Dielectric Strength:
1)Between contacts and coil- 4kV AC (50Hz, 1min)
2)Between contact sets- 2kV AC(50Hz, 1min)
3)Between open contacts-1kV AC(50Hz, 1min)
4)Between Live parts /DIN rail-2kV AC (50Hz, 1min)

Insulation resistance: 1000M ohm @ 500VDC

Connection wires/ Conductors: 60/75 degC Copper conductor