



Slim Relay Module 1CO 120VUC

- Compact 6.0mm thin design
- Variety of Operating Voltages.
- High switching current : up to 6A at 250VAC
- low coil power consumption: 175 mW
- LED Indication on Coil activation.
- No requirement on polarity of input voltage (except 5 VDC & 24VDC Relay).
- Possibility of Jumpering up BY Push in Jumpers.

TECHNICAL DATA

Bussing Possibility	By Push in jumpers
Supply Voltage Indication	3mm Green LED
Ambient Operating Temperature	-40 to +55 °C
Mounting Possibility	DIN 35/DIN 35-15 Rail
Housing Material	PA 6,6
Housing Colour	Grey
Rated Voltage	120 V
Input Polarity Protection	Bridge Rectifier

RELAY GENERAL SPECIFICATIONS

Relay Type	Electromechanical Relay
Relay Make / Manufacturer	Connectwell
Dielectric Strength	1000VAC (Between contacts), 4000 VAC (between coil and contacts)
Insulation Resistance	1000MOhm @ 500VDC
Relay Approvals	UL,CE,VDE

RELAY INPUT / COIL SPECIFICATIONS

Nominal Operating Voltage	120 V
Nominal Input Current	7.4 mA
Maximum Operating Voltage	132 V
Must Operate Voltage	90 V
Must Release Voltage	21 V
Nominal Input Power	890 mVA

RELAY OUTPUT/CONTACT SPECIFICATIONS

Contact Type	1 CO
Contact Material	AgNi
Contact Resistance	100 m ohms at 1A 6 VDC
Rated Contact Current (Resistive Load)	6 A
Load Voltage Range	400 VAC, 125 VDC at Reduced Load
Maximum Switching Power	1500 VA, 180W

CONNECTION SPECIFICATIONS

Type of Connection	Spring Clamp
Wire Stripping Length	10 mm

CONNECTION SPECIFICATIONS

Min. Wire Size - Stranded(mm2)	0.2 mm ²
Max. Wire Size - Stranded(mm2)	2.5 mm ²
Min. Wire Size - Stranded(AWG)	24 AWG
Max. Wire Size - Stranded(AWG)	12 AWG
Min. Wire Size - Solid	0.2 mm ²
Max. Wire Size - Solid	2.5 mm ²
Min. Wire Size - Solid(AWG)	24 AWG
Max. Wire Size - Solid(AWG)	12 AWG

ORDERING INFORMATION

CAT. NO.	DESCRIPTION	NO. OF CHN.	DIM. DET.	STD. PACK
CSR1S-120UXB	1CO 120VUC Single Channel Slim Relay Module With Plugable Relay Rail Mount	1	6 x 94.5 x 96	10

ACCESSORIES

IMAGES	CAT. NO.	DESCRIPTION	STD. PACK
	CA701-1M	Din 35 Rail unslotted 1 meter	50
	CA701-2M	Din 35 Rail unslotted 2 meter	50
	CA701-2M-S	Din 35 Rail slotted 2 meter	50
	CA701-1M-S	Din 35 Rail slotted 1 meter	50
	CA701-15-1M	Din 35 Rail 15 deep unslotted 1 meter	50
	CA701-15-1M-S	Din 35 Rail 15 deep slotted 1 meter	50
	CA701-15-2M	Din 35 Rail 15 deep unslotted 2 meter	50
	CA701-15-2M-S	Din 35 Rail 15 deep slotted 2 meter	50
	SCS0.5/3	Electricians Screwdriver for slotted screws	10
	CA509/K6	Blank Marking Tag	100



ACCESSORIES

NOTES

IMAGES	CAT. NO.	DESCRIPTION	STD. PACK
	JX4/2	Shorting Link for 6 mm wide TB	100
	JX4/3	Shorting Link for 6 mm wide TB	50
	JX4/4	Shorting Link for 6 mm wide TB	50
	JX4/5	Shorting Link for 6 mm wide TB	50
	JX4/8	Shorting Link for 6 mm wide TB	10
	JX4/10	Shorting Link for 6 mm wide TB	10
JX4/16	Shorting Link for 6 mm wide TB	10	

Notes On Product
 Protection Degree: IP20
 Pollution Degree 2
 Over voltage / Surge voltage category-III
 Relay operating time ≤ 8 (msec)
 Relay release time ≤ 4 (msec)

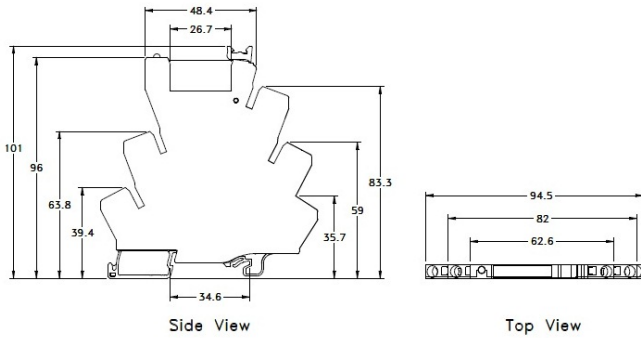
Dielectric Strength:
 1) Between contacts and coil- 4kV AC (50Hz, 1min)
 2) Between contact sets- 2kV AC (50Hz, 1min)
 3) Between open contacts-1kV AC (50Hz, 1min)
 4) Between Live parts /DIN rail-2kV AC (50Hz, 1min)

Insulation resistance: 1000M ohm @ 500VDC

	SRL1-24D	RELAY 1CO 24VDC	10
--	----------	-----------------	----

Connection wires/ Conductors: 60/75 deg C Copper conductor

PRODUCT DRAWING



CIRCUIT DIAGRAM

