

# CSR1S-24UXB



## Slim Relay Module 1CO 24VUC

- Compact 6.0mm thin design
- Variety of Operating Voltages.
- High switching current : up to 6A at 250VAC
- low coil power consumption: 175 mW
- LED Indication on Coil activation.
- No requirement on polarity of input voltage (except 5 VDC & 24VDC Relay).
- Possibility of Jumpering up to 8 channels with a single link.
- Jumpering upto 'n' number of channels using combination of shorting links.
- Freewhelling diode protection.

### TECHNICAL DATA

Bussing Possibility	By Push-in type jumpers.
Supply Voltage Indication	3mm Green LED
Ambient Operating Temperature	-40 to +55 °C
Mounting Possibility	DIN 35/DIN 35-15 Rail
Housing Material	PA 6,6
Housing Colour	Grey
Rated Input voltage	24VAC/VDC V
Input Polarity Protection	Rectifier

### RELAY GENERAL SPECIFICATIONS

Relay Type	Electromechanical Type Relay
Relay Make / Manufacturer	Connectwell
Dielectric Strength	Open contact-1000VAC, Contact to Coil-4000VAC.
Insulation Resistance	1000MOhm at 500VDC
Relay Approvals	UL, CE, VDE

### RELAY INPUT / COIL SPECIFICATIONS

Nominal Operating Voltage	24 V
Nominal Input Current	14.1 mA
Maximum Operating Voltage	28.8 V
Must Operate Voltage	19 V
Must Release Voltage	4.5 V
Nominal Input Power	340 mVA

### RELAY OUTPUT/CONTACT SPECIFICATIONS

Contact Type	1 CO
Contact Material	AgNi
Contact Resistance	100 m ohms at 1A 6 VDC
Rated Contact Current (Resistive Load)	6 A
Load Voltage Range	400 VAC, 125 VDC at Reduced Load
Maximum Switching Power	1500 VA, 180W

### CONNECTION SPECIFICATIONS

Type of Connection	Spring Clamp
Wire Stripping Length	10 mm
Min. Wire Size - Stranded(mm2)	0.2 mm <sup>2</sup>
Max. Wire Size - Stranded(mm2)	2.5 mm <sup>2</sup>
Min. Wire Size - Stranded(AWG)	24 mm <sup>2</sup>
Max. Wire Size - Stranded(AWG)	12 mm <sup>2</sup>
Min. Wire Size - Solid	0.2 mm <sup>2</sup>
Max. Wire Size - Solid	2.5 mm <sup>2</sup>
Min. Wire Size - Solid(AWG)	24 mm <sup>2</sup>
Max. Wire Size - Solid(AWG)	12 mm <sup>2</sup>

### ORDERING INFORMATION

CAT. NO.	DESCRIPTION	NO. OF CHN.	DIM. DET.	STD. PACK
CSR1S-24UXB	1CO 24VUC Single Channel Slim Relay Module With Plugable Relay Rail Mount	1	6 x 94.5 x 96	10

### ACCESSORIES

IMAGES	CAT. NO.	DESCRIPTION	STD. PACK
	CA701-1M	Din 35 Rail unslotted 1 meter	50
	CA701-2M	Din 35 Rail unslotted 2 meter	50
	CA701-2M-S	Din 35 Rail slotted 2 meter	50
	CA701-1M-S	Din 35 Rail slotted 1 meter	50
	CA701-15-1M	Din 35 Rail 15 deep unslotted 1 meter	50
	CA701-15-1M-S	Din 35 Rail 15 deep slotted 1 meter	50
	CA701-15-2M	Din 35 Rail 15 deep unslotted 2 meter	50
	CA701-15-2M-S	Din 35 Rail 15 deep slotted 2 meter	50
	SCS0.5/3	Electricians Screwdriver for slotted screws	10

CSR1S-24UXB

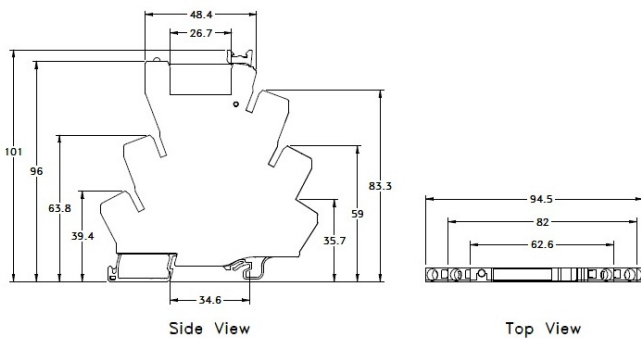


**connectwell**  
THE RIGHT CONNECTION

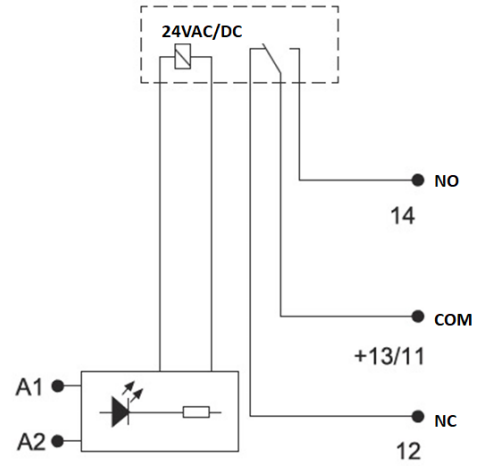
**ACCESSORIES**

IMAGES	CAT. NO.	DESCRIPTION	STD. PACK
	JX4/2	Shorting Link for 6 mm wide TB	100
	JX4/3	Shorting Link for 6 mm wide TB	50
	JX4/4	Shorting Link for 6 mm wide TB	50
	JX4/5	Shorting Link for 6 mm wide TB	50
	JX4/8	Shorting Link for 6 mm wide TB	10
	JX4/10	Shorting Link for 6 mm wide TB	10
JX4/16	Shorting Link for 6 mm wide TB	10	
	CA509/K6	Blank Marking Tag	100
	SRL1-24D	RELAY 1CO 24VDC	10
	ADID24V	Slim Relay Adapter -Input side- 24VDC	1
	ADIF24V	Slim Relay Adapter -Input side- 24VDC	1
	ADOD24V	Slim Relay Adapter -Output side- 24VDC	1
	ADOF24V	Slim Relay Adapter -Output side- 24VDC	1

**PRODUCT DRAWING**



**CIRCUIT DIAGRAM**



**NOTES**

ADID,ADOD,ADIF,ADOF Slim Relay Adapters to be used only with 24VDC.

Protection Degree: IP20  
Pollution Degree 2  
Over voltage / Surge voltage category-III  
Relay operating time ≤ 8 (msec)  
Relay release time ≤ 4(msec)

Dielectric Strength:  
1)Between contacts and coil- 4kV AC (50Hz, 1min)  
2)Between contact sets- 2kV AC(50Hz, 1min)  
3)Between open contacts-1kV AC(50Hz, 1min)  
4)Between Live parts /DIN rail-2kV AC (50Hz, 1min)

Insulation resistance: 1000M ohm @ 500VDC

Connection wires/ Conductors: 60/75 deg C Copper conductor