

CSR1S-48-60UXB



Slim Relay Module 1CO 48-60VUC

- Compact 6.0mm thin design
- Variety of Operating Voltages.
- High switching current : up to 6A at 250VAC
- low coil power consumption: 175 mW
- LED Indication on Coil activation.
- No requirement on polarity of input voltage (except 5 VDC & 24VDC Relay).
- possibility of shorting by push in jumpers.
- Jumpering upto 'n' number of channels using combination of shorting links.

TECHNICAL DATA

| | |
|-------------------------------|--|
| Bussing Possibility | By Push in jumper and comb type jumper |
| Supply Voltage Indication | 3mm Green LED |
| Ambient Operating Temperature | -40 to +55 °C |
| Mounting Possibility | DIN 35/DIN 35-15 Rail |
| Housing Material | PA 6,6 |
| Housing Colour | Grey |
| Rated Voltage | 48-60 V |
| Input Polarity Protection | Bridge Rectifier |

RELAY GENERAL SPECIFICATIONS

| | |
|---------------------------|--|
| Relay Type | Electromechanical relay |
| Relay Make / Manufacturer | Connectwell |
| Dielectric Strength | Open contact-1000VAC, Contact to Coil-4000VAC. |
| Insulation Resistance | 1000MOhm at 500VDC |
| Relay Approvals | UL, CE, VDE |

RELAY INPUT / COIL SPECIFICATIONS

| | |
|---------------------------|---------|
| Nominal Operating Voltage | 48-60 V |
| Nominal Input Current | 6.2 A |
| Maximum Operating Voltage | 66 V |
| Must Operate Voltage | 43 V |
| Must Release Voltage | 10.5 V |
| Nominal Input Power | 300 mVA |

RELAY OUTPUT/CONTACT SPECIFICATIONS

| | |
|--|----------------------------------|
| Contact Type | 1 CO |
| Contact Material | AgNi |
| Contact Resistance | 100 m ohms at 1A 6 VDC |
| Rated Contact Current (Resistive Load) | 6 A |
| Load Voltage Range | 400 VAC, 125 VDC at Reduced Load |
| Maximum Switching Power | 1500 VA, 180W |

CONNECTION SPECIFICATIONS

| | |
|--------------------|--------|
| Type of Connection | Spring |
|--------------------|--------|

CONNECTION SPECIFICATIONS

| | |
|--------------------------------|---------------------|
| Wire Stripping Length | 10 mm |
| Min. Wire Size - Stranded(mm2) | 0.2 mm ² |
| Max. Wire Size - Stranded(mm2) | 2.5 mm ² |
| Min. Wire Size - Stranded(AWG) | 24 AWG |
| Max. Wire Size - Stranded(AWG) | 12 AWG |
| Min. Wire Size - Solid | 0.2 mm ² |
| Max. Wire Size - Solid | 2.5 mm ² |
| Min. Wire Size - Solid(AWG) | 24 AWG |
| Max. Wire Size - Solid(AWG) | 12 AWG |

ORDERING INFORMATION

| CAT. NO. | DESCRIPTION | NO. OF CHN. | DIM. DET. | STD. PACK |
|----------------|--|-------------|---------------|-----------|
| CSR1S-48-60UXB | 1CO 48-60VUC Single Channel Slim Relay Module With Plugable Relay Rail Mount | 1 | 6 x 94.5 x 96 | 10 |

ACCESSORIES

| IMAGES | CAT. NO. | DESCRIPTION | STD. PACK |
|--------|---------------|---|-----------|
| | CA701-1M | Din 35 Rail unslotted 1 meter | 50 |
| | CA701-2M | Din 35 Rail unslotted 2 meter | 50 |
| | CA701-2M-S | Din 35 Rail slotted 2 meter | 50 |
| | CA701-1M-S | Din 35 Rail slotted 1 meter | 50 |
| | CA701-15-1M | Din 35 Rail 15 deep unslotted 1 meter | 50 |
| | CA701-15-1M-S | Din 35 Rail 15 deep slotted 1 meter | 50 |
| | CA701-15-2M | Din 35 Rail 15 deep unslotted 2 meter | 50 |
| | CA701-15-2M-S | Din 35 Rail 15 deep slotted 2 meter | 50 |
| | SCS0.5/3 | Electricians Screwdriver for slotted screws | 10 |
| | CA509/K6 | Blank Marking Tag | 100 |

CSR1S-48-60UXB



connectwell
THE RIGHT CONNECTION

ACCESSORIES

NOTES

| IMAGES | CAT. NO. | DESCRIPTION | STD. PACK |
|--------|--------------------------------|--------------------------------|-----------|
| | JX4/2 | Shorting Link for 6 mm wide TB | 100 |
| | JX4/3 | Shorting Link for 6 mm wide TB | 50 |
| | JX4/4 | Shorting Link for 6 mm wide TB | 50 |
| | JX4/5 | Shorting Link for 6 mm wide TB | 50 |
| | JX4/8 | Shorting Link for 6 mm wide TB | 10 |
| | JX4/10 | Shorting Link for 6 mm wide TB | 10 |
| JX4/16 | Shorting Link for 6 mm wide TB | 10 | |

Protection Degree: IP20
 Pollution Degree 2
 Over voltage / Surge voltage category-III
 Relay operating time ≤ 8 (msec)
 Relay release time ≤ 4(msec)

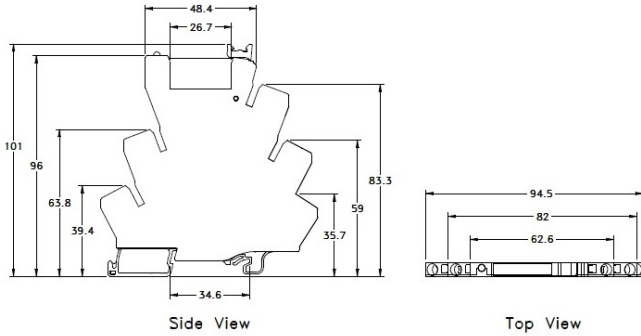
Dielectric Strength:
 1)Between contacts and coil- 4kV AC (50Hz, 1min)
 2)Between contact sets- 2kV AC(50Hz, 1min)
 3)Between open contacts-1kV AC(50Hz, 1min)
 4)Between Live parts /DIN rail-2kV AC (50Hz, 1min)

Insulation resistance: 1000M ohm @ 500VDC

Connection wires/ Conductors: 60/75 deg C Copper conductor

| | | | |
|--|----------|-----------------|----|
| | SRL1-24D | RELAY 1CO 24VDC | 10 |
|--|----------|-----------------|----|

PRODUCT DRAWING



CIRCUIT DIAGRAM

