

IMRE1SS16/S LC



connectwell
THE RIGHT CONNECTION

32 I/O Interface Module for Allen Bradley SLC 500 PLC

-This module simplifies wiring by accommodating 32 channel signals through a Flat Ribbon Cable Connector. The module is supplied in two parts, as the main module (IMRE1SS16/SLC) and it's extension module (IMRE1SS16/E/SLC) along with a 20 core FRC cable to connect them. The module is best suited for interfacing ALLEN BRADLEY SLC 500 PLCs.

TECHNICAL DATA

Relay on Indication	3mm Red LED
Supply Voltage Indication	3mm Green LED
Relay Protection Method	Using 1N4007 Free Wheeling Diode
Ambient Operating Temperature	-20 to 50 °C
Mounting Possibility	DIN32 / DIN35 / DIN35-15 / PANEL
Housing Material	PVC / V0 Grade
Housing Colour	Green

IDC / FRC CONNECTOR SPECIFICATIONS

Contact Material	Brass
Rated Current / Pin	2 A
Contact Resistance	30m ohms maximum
Dielectric Withstanding Voltage	500VAC for 1 minute
Insulation Resistance	3000M ohms minimum

RELAY INPUT / COIL SPECIFICATIONS

Nominal Operating Voltage	24 VDC
Nominal Input Current	21.8 mA
Maximum Operating Voltage	26.4 VDC
Must Operate Voltage	16.8 VDC
Must Release Voltage	3.6 VDC
Coil Resistance	1100 Ω

RELAY OUTPUT/CONTACT SPECIFICATIONS

Contact Type	1 CO
Contact Material	AgCdO
Load Voltage Range	380 VAC / 125 VDC
Maximum Operating Frequency	1800 Opr./Hr

CONNECTION SPECIFICATIONS

Type of Connection	Screw Connection
Min. Wire Size	0.5 mm ²
Max. Wire Size	2.5 mm ²
Min. Wire Size(AWG)	30 AWG
Max. Wire Size(AWG)	14 AWG
Wire Stripping Length	8.3 mm

CONNECTION SPECIFICATIONS

Torque	0.5 Nm
Torque	4.5 lb-in

ORDERING INFORMATION

CAT. NO.	DESCRIPTION	NO. OF CHN.	DIM. DET.	STD. PACK
IMRE1SS16/SLC	1CO 16CH 24VDC Relay Main Board for ALLEN BRADLEY PLC With Base (Pluggable Relay) Rail Mount	16	260 X 88 X 74	1
IMRE1SS16/E/SLC	1CO 16CH 24VDC Relay Extension Board for ALLEN BRADLEY PLC With Base (Pluggable Relay) Rail Mount	16	260 X 88 X 74	1
IMRE1S16/S LC	1CO 16CH 24VDC Relay Main Board for ALLEN BRADLEY PLC With Soldered Relay Rail Mount	16	260 X 88 X 74	1
IMRE1S16/E /SLC	1CO 16CH 24VDC Relay Extension Board for ALLEN BRADLEY PLC With Soldered Relay Rail Mount	16	260 X 88 X 65	1



ACCESSORIES

IMAGES	CAT. NO.	DESCRIPTION	STD. PACK
	CA501-1M	Din 32 Rail unslotted 1 meter	50
	CA501-1M-S	Din 32 Rail slotted 1 meter	50
	CA501-2M	Din 32 Rail unslotted 2 meter	50
	CA501-2M-S	Din 32 Rail slotted 2 meter	50
	CA701-1M	Din 35 Rail unslotted 1 meter	50
	CA701-2M	Din 35 Rail unslotted 2 meter	50
	CA701-2M-S	Din 35 Rail slotted 2 meter	50
	CA701-1M-S	Din 35 Rail slotted 1 meter	50
	CA701-15-1M	Din 35 Rail 15 deep unslotted 1 meter	50
	CA701-15-1M-S	Din 35 Rail 15 deep slotted 1 meter	50
	CA701-15-2M	Din 35 Rail 15 deep unslotted 2 meter	50
	CA701-15-2M-S	Din 35 Rail 15 deep slotted 2 meter	50

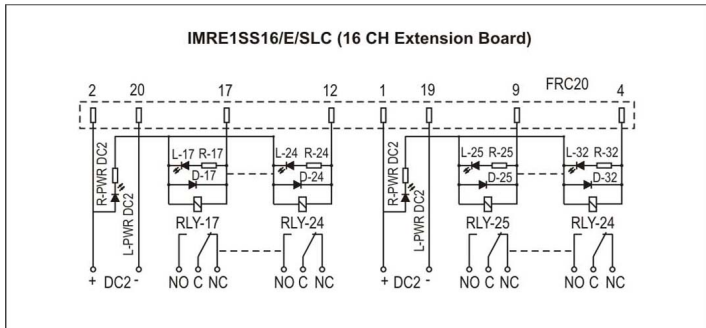
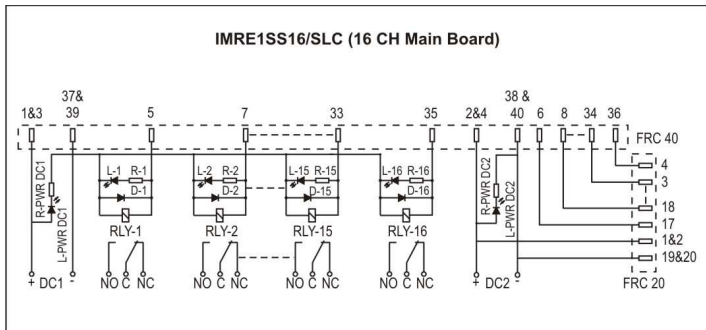
IMRE1SS16/S LC



ACCESSORIES

IMAGES	CAT. NO.	DESCRIPTION	STD. PACK
	CA509/K2	Marking Tag Blank suitable for CDL4U / CDL4U(I.S) / CTL2.5U / CTL2.5UH / CTL2.5UL / CTL2.5HUL / CTL2.5U(I.S) / CTL2.5U(I.S)D2 / CGMT4 / CSFL4U / CSFL4U(L) / CMT4 / CMB4 / ASF4 / ASF4(L) / CTS2.5()	100
	SCS0.5/3	Electricians Screwdriver for slotted screws	10

CIRCUIT DIAGRAM



NOTES

- * Module Lengths mentioned are for RAIL Mounting option only. The lengths may vary for PANEL Mounting.
- ** PANEL Mounting relay modules are available on request. Please use the suffix -P with the cat. no. for ordering.
- *** FRC Cable Available on request. #Module with Other Coil Voltage like 6 VDC, 48 VDC, 24 VAC etc. are available on request.