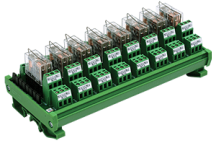


IMRE2SSxx/1 10A



Relay Module 2CO 110VAC (DPDT)

- Relay Module For Industrial Suitability.
- Switching Current upto 8A at 250VAC
- Easy to replace Pluggable Relays.
- Possibility of Bussing (Jumpering) relays in common negative or common positive configurations.
- LED indication to denote relay actuation.
- Mounting Options available: DIN Rail mounting & Panel mounting

TECHNICAL DATA

Bussing Possibility	By using spare jumpers.
Relay on Indication	3mm Red LED
Ambient Operating Temperature	-20to+50 °C
Mounting Possibility	DIN32 / DIN35 / DIN35-15 / PANEL
Housing Material	PVC / V0 Grade
Housing Colour	Green

RELAY INPUT / COIL SPECIFICATIONS

Nominal Operating Voltage	110 VAC
Nominal Input Current	6.6 mA
Must Operate Voltage	86.30 VAC
Must Release Voltage	17.30 VAC
Nominal Input Power	0.75 VA
Coil Resistance	8100 Ω

RELAY OUTPUT/CONTACT SPECIFICATIONS

Contact Type	DPDT- 2CO
Contact Material	AgSnO2
Rated Contact Current (Resistive Load)	8 A
Load Voltage Range	440 VAC, 300 VDC

FUSE HOLDER SPECIFICATIONS

Rated Current	5 A
---------------	-----

CONNECTION SPECIFICATIONS

Type of Connection	Screw Connection
Min. Wire Size	0.5 mm ²
Max. Wire Size	2.5 mm ²
Min. Wire Size(AWG)	30 AWG
Max. Wire Size(AWG)	14 AWG
Wire Stripping Length	8.3 mm
Torque	0.5 Nm
Torque	4.5 Nm

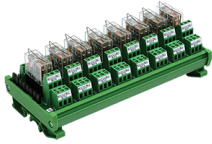
ORDERING INFORMATION

CAT. NO.	DESCRIPTION	NO. OF CHN.	DIM. DET.	STD. PACK
IMRE2SS1/1 10A	2CO 1CH 110VAC Relay Module With Base (Pluggable Relay) Rail Mount	1	31 X 88 X 74	5
IMRE2SS2/1 10A	2CO 2CH 110VAC Relay Module With Base (Pluggable Relay) Rail Mount	2	55 X 88 X 74	1
IMRE2SS4/1 10A	2CO 4CH 110VAC Relay Module With Base (Pluggable Relay) Rail Mount	4	100 X 88 X 74	1
IMRE2SS8/1 10A	2CO 8CH 110VAC Relay Module With Base (Pluggable Relay) Rail Mount	8	193 X 88 X 74	1
IMRE2SS16/ 110A	2CO 16CH 110VAC Relay Module With Base (Pluggable Relay) Rail Mount	16	377 X 88 X 74	1
IMRE2S1/11 0A	2CO 1CH 110VAC Relay Module With Soldered Relay Rail Mount	1	31 X 88 X 74	5
IMRE2S2/11 0A	2CO 2CH 110VAC Relay Module With Soldered Relay Rail Mount	2	55 X 88 X 74	1
IMRE2S4/11 0A	2CO 4CH 110VAC Relay Module With Soldered Relay Rail Mount	4	100 X 88 X 74	1
IMRE2S8/11 0A	2CO 8CH 110VAC Relay Module With Soldered Relay Rail Mount	8	193 X 88 X 74	1
IMRE2S16/1 10A	2CO 16CH 110VAC Relay Module With Soldered Relay Rail Mount	16	377 X 88 X 74	1

ACCESSORIES

IMAGES	CAT. NO.	DESCRIPTION	STD. PACK
	CA501-1M	Din 32 Rail unslotted 1 meter	50
	CA501-1M-S	Din 32 Rail slotted 1 meter	50
	CA501-2M	Din 32 Rail unslotted 2 meter	50
	CA501-2M-S	Din 32 Rail slotted 2 meter	50
	CA701-1M	Din 35 Rail unslotted 1 meter	50
	CA701-2M	Din 35 Rail unslotted 2 meter	50
	CA701-2M-S	Din 35 Rail slotted 2 meter	50
	CA701-1M-S	Din 35 Rail slotted 1 meter	50

IMRE2SSxx/1
10A

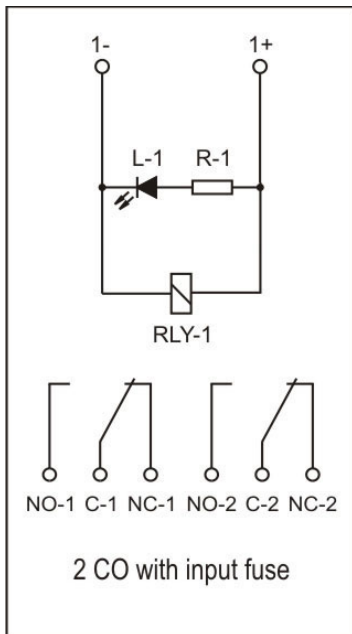


connectwell
THE RIGHT CONNECTION

ACCESSORIES

IMAGES	CAT. NO.	DESCRIPTION	STD. PACK
	CA701-15-1M	Din 35 Rail 15 deep unslotted 1 meter	50
	CA701-15-1M-S	Din 35 Rail 15 deep slotted 1 meter	50
	CA701-15-2M	Din 35 Rail 15 deep unslotted 2 meter	50
	CA701-15-2M-S	Din 35 Rail 15 deep slotted 2 meter	50
	CA509/K2	Marking Tag Blank suitable for CDL4U / CDL4U(I.S) / CTL2.5U / CTL2.5UH / CTL2.5UL / CTL2.5HUL / CTL2.5U(I.S) / CTL2.5U(I.S)D2 / CGMT4 / CSFL4U / CSFL4U(L) / CMT4 / CMB4 / ASF4 / ASF4(L) / CTS2.5(100
	SCS0.5/3	Electricians Screwdriver for slotted screws	10
	IMACC/2CO/110A	RELAY 2CO 110VAC	10

CIRCUIT DIAGRAM



NOTES

* Module Lengths mentioned are for RAIL Mounting option only. The lengths may vary for PANEL Mounting.
** PANEL Mounting relay modules are available on request. Please use the suffix -P with the cat. no. for ordering.