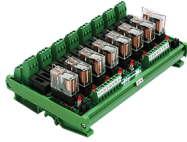


# IMREF2SSxx/ 110A



## Relay Module 2CO 110VAC (DPDT) With Input Fuse Protection

- Replaceable fuses with simple to operate Horizontal fuse holders
- Fast Blow & Slow Blow fuses available as standard
- Fuse ratings from 0.1 A to 6.3 A available.
- Variety of Operating Voltages.
- Switching Current upto 8 A at 250 VAC
- Easy to replace pluggable relays
- possibility of Bussing (Jumpering) relays in common negative or common positive configurations.
- Green LED indication to denote relay actuation..
- Mounting Options available:DIN Rail mounting & Panel mounting.

### TECHNICAL DATA

|                               |                                  |
|-------------------------------|----------------------------------|
| Bussing Possibility           | By using spare jumpers.          |
| Relay on Indication           | 3mm Green LED                    |
| Ambient Operating Temperature | -20to+50 °C                      |
| Mounting Possibility          | DIN32 / DIN35 / DIN35-15 / PANEL |
| Housing Material              | PVC / V0 Grade                   |
| Housing Colour                | Green                            |

### FUSE SPECIFICATIONS

|             |   |
|-------------|---|
| Fuse Type   | Fast Blow/Slow Blow                     |
| Fuse Rating | 0.1, 0.5, 0.63, 1, 2, 3, 4, 5, 6, 6.3 A |
| Fuse Size   | 5 x 20 mm                               |

### RELAY INPUT / COIL SPECIFICATIONS

|                           |           |
|---------------------------|-----------|
| Nominal Operating Voltage | 110 VAC   |
| Nominal Input Current     | 6.6 mA    |
| Maximum Operating Voltage | 121 VAC   |
| Must Operate Voltage      | 86.30 VAC |
| Must Release Voltage      | 17.30 VAC |
| Nominal Input Power       | 0.75 VA   |
| Coil Resistance           | 8100 Ω    |

### RELAY OUTPUT/CONTACT SPECIFICATIONS

|  |                  |
|--|------------------|
| Contact Type                           | DPDT- 2CO        |
| Contact Material                       | AgSnO2           |
| Rated Contact Current (Resistive Load) | 8 A              |
| Load Voltage Range                     | 400 VAC, 300 VDC |

### FUSE HOLDER SPECIFICATIONS

|               |            |
|---------------|------------|
| Mounting type | Horizontal |
| Cap Design    | Flat       |
| Fuse Size     | 5 x 20 mm  |

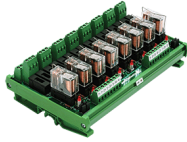
### CONNECTION SPECIFICATIONS

|                       |                     |
|-----------------------|---------------------|
| Type of Connection    | Screw Connection    |
| Min. Wire Size        | 0.5 mm <sup>2</sup> |
| Max. Wire Size        | 2.5 mm <sup>2</sup> |
| Min. Wire Size(AWG)   | 30 AWG              |
| Max. Wire Size(AWG)   | 14 AWG              |
| Wire Stripping Length | 8.3 mm              |
| Torque                | 0.5 Nm              |
| Torque                | 4.5 lb-in           |

### ORDERING INFORMATION

| CAT. NO.         | DESCRIPTION  | NO. OF CHN. | DIM. DET.      | STD. PACK |
|------------------|--|-------------|----------------|-----------|
| IMREF2SS1 /110A  | 2CO 1CH 110VAC Input Fused Relay Module With Base(Pluggable Relay) Rail Mount  | 1           | 26 X 120 X 74  | 1         |
| IMREF2SS2 /110A  | 2CO 2CH 110VAC Input Fused Relay Module With Base(Pluggable Relay) Rail Mount  | 2           | 39 X 120 X 74  | 1         |
| IMREF2SS4 /110A  | 2CO 4CH 110VAC Input Fused Relay Module With Base(Pluggable Relay) Rail Mount  | 4           | 69 X 120 X 74  | 1         |
| IMREF2SS8 /110A  | 2CO 8CH 110VAC Input Fused Relay Module With Base(Pluggable Relay) Rail Mount  | 8           | 130 X 120 X 74 | 1         |
| IMREF2SS1 6/110A | 2CO 16CH 110VAC Input Fused Relay Module With Base(Pluggable Relay) Rail Mount | 16          | 257 X 120 X 74 | 1         |
| IMREF2S1/1 10A   | 2CO 1CH 110VAC Input Fused Relay Module With Soldered Relay Rail Mount         | 1           | 26 X 120 X 74  | 1         |
| IMREF2S2/1 10A   | 2CO 2CH 110VAC Input Fused Relay Module With Soldered Relay Rail Mount         | 2           | 39 X 120 X 74  | 1         |
| IMREF2S4/1 10A   | 2CO 4CH 110VAC Input Fused Relay Module With Soldered Relay Rail Mount         | 4           | 69 X 120 X 74  | 1         |
| IMREF2S8/1 10A   | 2CO 8CH 110VAC Input Fused Relay Module With Soldered Relay Rail Mount         | 8           | 130 X 120 X 74 | 1         |

# IMREF2SSxx/ 110A



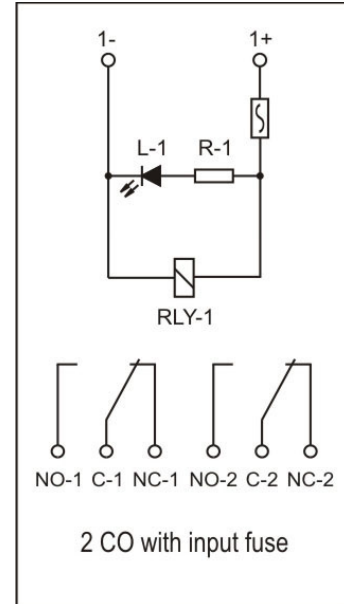
### ORDERING INFORMATION

| CAT. NO.       | DESCRIPTION   | NO. OF CHN. | DIM. DET.      | STD. PACK |
|----------------|---|-------------|----------------|-----------|
| IMREF2S16/110A | 2CO 16CH 110VAC Input Fused Relay Module With Soldered Relay Rail Mount | 16          | 257 X 120 X 74 | 1         |

### ACCESSORIES

| IMAGES | CAT. NO.       | DESCRIPTION   | STD. PACK |
|--------|----------------|---|-----------|
|        | CA501-1M       | Din 32 Rail unslotted 1 meter   | 50        |
|        | CA501-1M-S     | Din 32 Rail slotted 1 meter   | 50        |
|        | CA501-2M       | Din 32 Rail unslotted 2 meter   | 50        |
|        | CA501-2M-S     | Din 32 Rail slotted 2 meter   | 50        |
|        | CA701-1M       | Din 35 Rail unslotted 1 meter   | 50        |
|        | CA701-2M       | Din 35 Rail unslotted 2 meter   | 50        |
|        | CA701-2M-S     | Din 35 Rail slotted 2 meter   | 50        |
|        | CA701-1M-S     | Din 35 Rail slotted 1 meter   | 50        |
|        | CA701-15-1M    | Din 35 Rail 15 deep unslotted 1 meter   | 50        |
|        | CA701-15-1M-S  | Din 35 Rail 15 deep slotted 1 meter   | 50        |
|        | CA701-15-2M    | Din 35 Rail 15 deep unslotted 2 meter   | 50        |
|        | CA701-15-2M-S  | Din 35 Rail 15 deep slotted 2 meter   | 50        |
|        | CA509/K2       | Marking Tag Blank suitable for CDL4U / CDL4U(I.S) / CTL2.5U / CTL2.5UH / CTL2.5UL / CTL2.5HUL / CTL2.5U(I.S) / CTL2.5U(I.S)D2 / CGMT4 / CSFL4U / CSFL4U(L) / CMT4 / CMB4 / ASF4 / ASF4(L) / CTS2.5( | 100       |
|        | SCS0.5/3       | Electricians Screwdriver for slotted screws   | 10        |
|        | IMACC/2CO/110A | RELAY 2CO 110VAC  | 10        |

### CIRCUIT DIAGRAM



### NOTES

- \* Module Lengths mentioned are for RAIL Mounting option only. The lengths may vary for PANEL Mounting.
- \*\* PANEL Mounting relay modules are available on request. Please use the suffix -P with the cat. no. for ordering.
- \*\*\*Module with Other Coil Voltage like 6 VDC, 48 VDC, 24 VAC etc. are available on request.