

# salzer



**ACCL** 1Ø  
HEAVY DUTY

IEC



Automatic Changeover  
with Current Limiter

## Automatic Source Changeover with Current Limiter (ACCL)



When Mains supply fails and Generator supply starts, ACCL transfers the load from Mains supply to Generator automatically. It also acts as a current limiter when load on generator exceeds the preset limit, thus avoiding any overload on the generator.

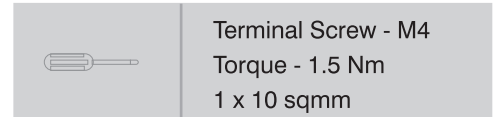
## Advantages of Salzer ACCL

- **Unique** - Contactor based single phase ACCL , design patent pending
- **Heavy Duty** - conforms to utilisation category AC32A ( IEC 60947-6 ) & AC22A ( IEC 60947-3 ) .Can switch heavy loads
- **Tested** at third party - UL LAB
- **Long life** - 25,000 operations
- **Safe** - 5 kA short circuit capacity
- **Energy efficient** - Low power consumption as coil operates only during generator supply
- **Cool** - Low temprature rise as power consumed is less than 0.2VA on Mains supply
- **User friendly** – During overload, load will be On for 10 sec so that user gets some time to switch off unwanted loads.
- **Alerts** - Overload indication via LED & Beep .
- **Technically superior** – Break before make changeover contacts with higher air gap
- **Convenient** - Auto Reset Facility
- **Versatile** – Can be used in new buildings as well as for retrofitting i.e 2 Sub Main or 1 Sub Main wiring method

### Technical Specifications

Supply Voltage	240VAC - Single Phase
Supply frequency	50Hz
Power consumption	<0.2 VA (Mains)
	15 VA @ 240VAC (Genset)
Electrical Life	25,000 Operations
Contact Rating	30A @ 240 VAC(Res)
Utilization category	AC-22A (IEC 60947-3) / AC32A (IEC 60947-6)
Current Monitoring	On Genset only
Mains Current rating	30A Max.
Genset Current rating	0.5A to 30A
Tripping accuracy	± 10% of trip current
Timing accuracy	± 5%
Duty	Continuous
Operating Position	Horizontal
Mounting	DIN (35 X 7.5mm)
Operating Temperature	-5 to 55° C
Storage Temperature	-10 to 60° C
Operating Humidity	5 to 85% RH
Pollution Degree	III
IP Protection	IP 20 : Terminal Enclosure
Weight (un-packed)	320 gm

### Terminal Details



### LED Indications

Mains ON — Genset ON — Overload

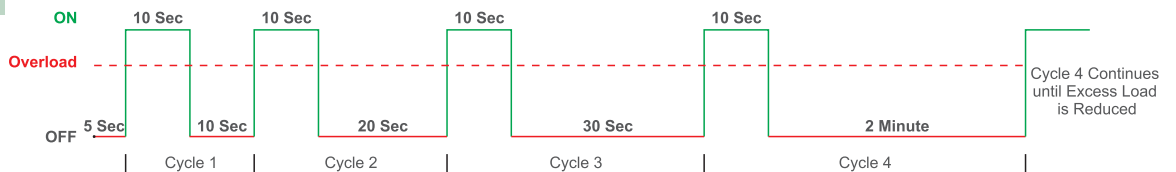


### Changeover Delays

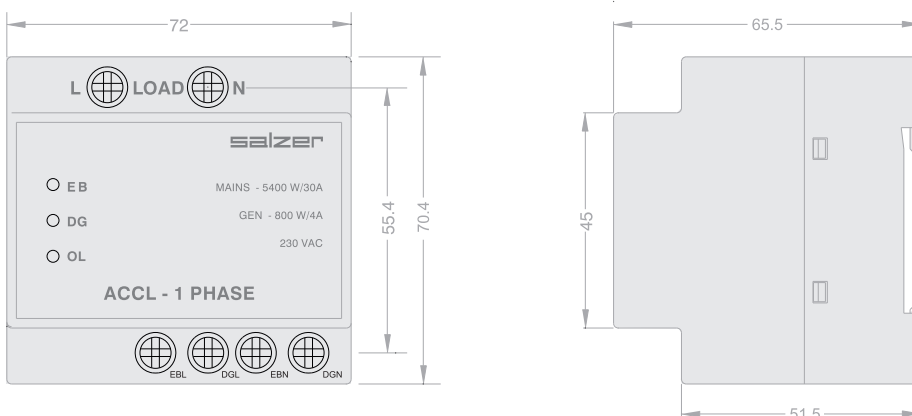
Mains to Genset	5 sec typical
Overload warning	10 sec ON, 10 sec OFF
	10 sec ON, 20 sec OFF
	10 sec ON, 30 sec OFF
	10 sec ON, 2 min OFF

The last cycle will continue until the overload is reduced to the rated load.

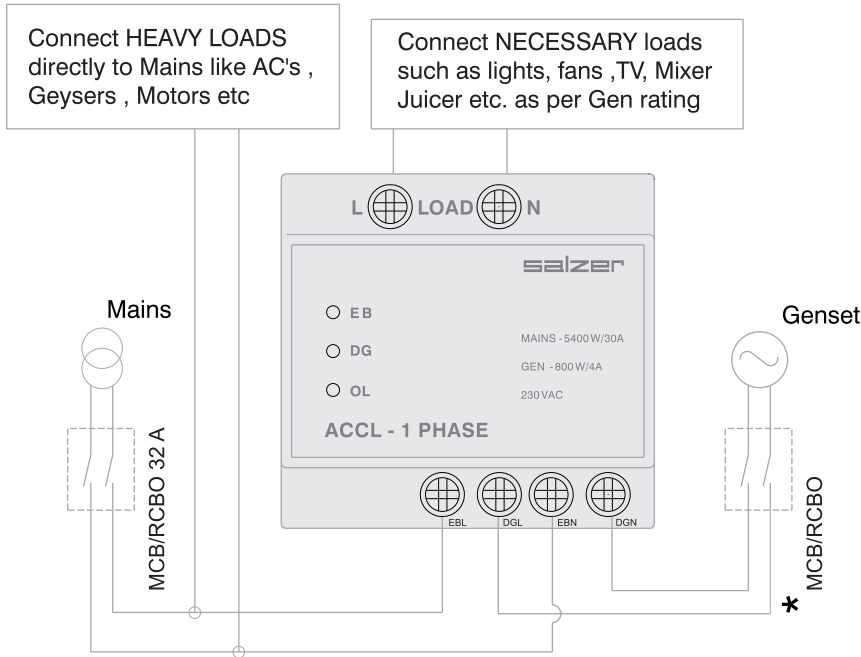
### Tripping Cycle



### Mechanical Dimensions



Wiring Diagram



**Cautions**

1. It is advisable to connect MCB / RCBO at Incoming Mains as well as Genset supply.
2. Mains supply Neutral & Generator Neutral should be separately grounded & not to be interconnected.

Ordering Information			Recommended MCB Rating	
Ordering Code	ACCL Mains Current Rating	ACCL Genset Current Rating	Mains MCB Rating	*Genset MCB Rating
ACCL005S	30 A	0.5 A	32 A	1 A
ACCL010S		1 A	32 A	1 A
ACCL015S		1.5 A	32 A	2 A
ACCL025S		2.5 A	32 A	3 A
ACCL030S		3 A	32 A	3 A
ACCL040S		4 A	32 A	4 A
ACCL050S		5 A	32 A	6 A
ACCL060S		6 A	32 A	6 A
ACCL080S		8 A	32 A	10 A
ACCL090S		9 A	32 A	10 A
ACCL100S		10 A	32 A	10 A
ACCL150S		15 A	32 A	16 A
ACCL200S		20 A	32 A	20 A
ACCL250S		25 A	32 A	25 A
ACCL300S		30 A	32 A	32 A

**Warranty :**

The company undertakes to replace or repair at its discretion products should they become defective solely as a result of faulty material, workmanship for a period of 1 year. The warranty will be valid only if installation procedures / maintenance is carried out by a qualified professional electrician & the necessary MCB/RCBO connected as per specification. The warranty stands nullified if the product is tampered, dismantled or altered. The warranty does not extend to cover consequential loss or damage or installation cost arising from the defective product.

*Product development is a continuous process & hence the data are subject to change without prior notice. Disputes if any are subject to Coimbatore jurisdiction only.*

**Salzer Electronics Limited**

Samichettipalayam, Coimbatore - 641 047. India Ph: +91-422-4233600  
 Fax: +91-422-2692170 email: salzer@salzergroup.com www.salzergroup.com

Customer Care : Ph. +91 422 4233636 e-mail : service@salzergroup.com