

salzer

# Industrial Plugs & Sockets





# Introduction

Salzer was established in 1985 with German Collaboration for Rotary switches to bring to the Indian Industry world class technology in Low voltage switchgear Products, coupled with dependability and excellence in service, to the delight of all end users.

We seek to understand the requirements of our clients and provide them the perfect electrical solution. All our ongoing developmental activities for innovative and value-added products are driven by this sense of responsibility.

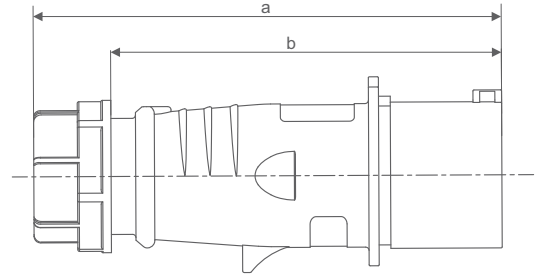
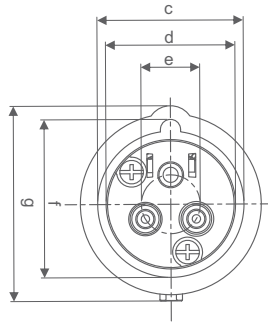
With this in mind Salzer now introduces INDUSTRIAL PLUGS & SOCKETS to the Indian market.

# Index

Plug & Sockets	4-17
Wall Mounted Interlocks	18-20
Schuko Plug & Sockets	21
Reefer Containers Sockets	22-25

# CEE/IEC International Standard Plug

Conform to European / international standard EN/IEC 60309-2



## IP 44 Plug

Amps	Poles	230 V	400 V	STD . Pack	Weight g/Pc
16	3	IP01634-248	-	10	136
	4	-	IP01644-252	10	152
	5	-	IP01654-3	10	173
32	3	IP03234-260	-	10	234
	4	-	IP03246-264	10	276
	5	-	IP03254-4	10	317
63	3	IP06334-1237	-	1	580
	4	-	IP06344-1231	1	632
	5	-	IP06354-1235	1	684

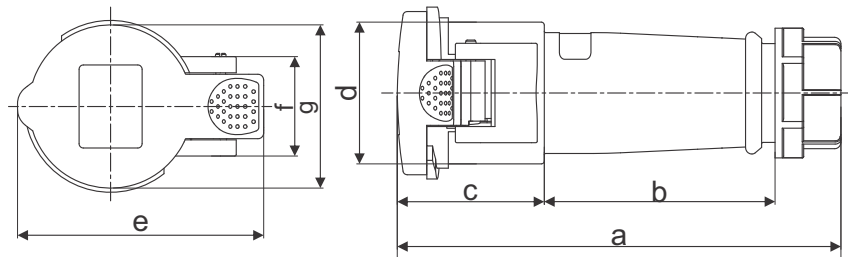
## Dimension in mm

Amps	16			32			63			
	Poles	3	4	5	3	4	5	3	4	5
a		137	142	144	173	173	177	238.9	238.9	238.9
b		110	119	121	144	144	148	179.4	179.4	179.4
c		43.5	49.5	56	57	57	63.3	69.1	69.1	69.1
d		38.5	43.8	50	51	51	56.5	63	63	63
e		17.5	21.5	26.5	25	25	30.3	36.5	36.5	36.5
f		47	52	60	62	62	68.7	75.3	75.3	75.3
g		58	66.7	75	80.7	80.7	89	100.1	100.1	100.1
Conductor crosssectional area (mm <sup>2</sup> ) Min. To Max		1.5-2.5			4-6			10-16		

Note: 110V, 500V Available on Request

# CEE/IEC International Standard Connector

Conform to European / international standard EN/IEC 60309-2



## IP 44 Connector

Amps	Poles	230 V	400 V	STD . Pack	Weight g/Pc
16	3	IP01634-510	-	10	173
	4	-	IP01644-514	10	203
	5	-	IP01654-5	10	244
32	3	IP03234-522	-	10	313
	4	-	IP03244-526	10	335
	5	-	IP03254-6	10	383
63	3	IP06334-1237	-	1	701
	4	-	IP06344-1241	1	732
	5	-	IP06354-1245	1	797

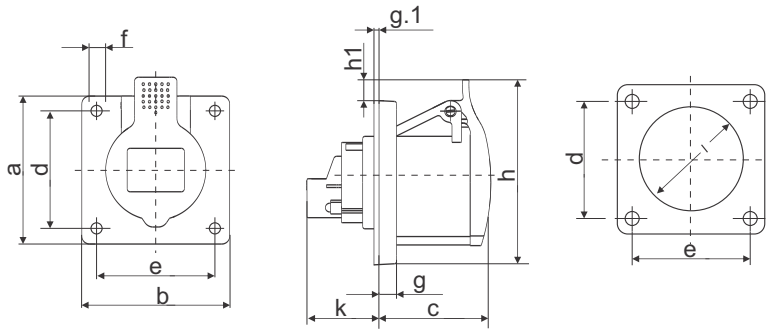
## Dimension in mm

Amps	16			32			63			
	Poles	3	4	5	3	4	5	3	4	5
a		155	156.5	161.7	200	200	205	257	257	257
b		80.6	82.3	88	106.5	106.5	108.7	112.5	112.5	112.5
c		51.3	51.8	52.1	64.2	64.2	65	95	95	95
d		49.5	55.7	63	64.2	64.2	70.8	77.4	77.4	77.4
e		86	90	97	101.8	101.8	111	108	108	108
f		34.7	37	37	37	37	37	34	34	34
g		57	61.2	69	71.6	71.6	79.5	92	92	92
Conductor crosssectional area (mm <sup>2</sup> ) Min. To Max		1.5-2.5			4-6			10-16		

**Note:** 110V, 500V Available on Request

# CEE/IEC International Standard Panel Mounted Straight Socket

Conform to European / international standard EN/IEC 60309-2



## IP 44 Panel Mounted Socket

Amps	Poles	230 V	400 V	STD . Pack	Weight g/Pc
16	3	IP01634-510	-	10	130
	4	-	IP01644-1390	10	160
	5	-	IP01654-1385	10	183
32	3	IP03234-1395	-	10	200
	4	-	IP03244-1399	10	210
	5	-	IP03254-3451	10	250
63	3	IP06334-1261	-	1	525
	4	-	IP06344-1248	1	560
	5	-	IP06354-1252	1	620

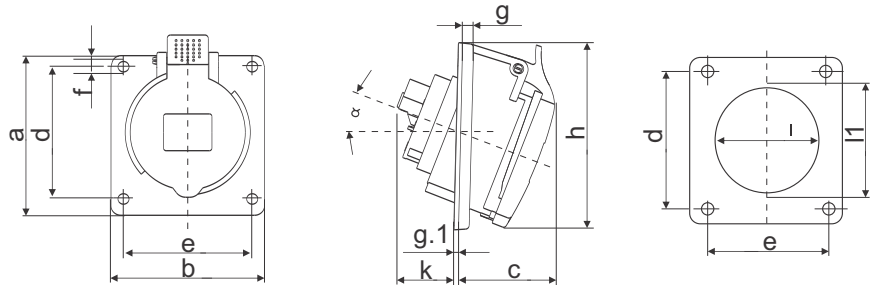
## Dimension in mm

Amps	16			32			63			
	Poles	3	4	5	3	4	5	3	4	5
a		75	75	75	75	75	75	107	107	107
b		75	75	75	75	75	75	100	100	100
c		51	51.5	52	61	61	62	80	80	80
d		60	60	60	60	60	60	85	85	85
e		60	60	60	60	60	60	77	77	77
f		5.5	5.5	5.5	5.5	5.5	5.5	6.5	6.5	6.5
g		8	8	8	8	8	8	12	12	12
g.1		2	2	2	2	2	2	2	2	2
h		84.6	90	94	96	96	102	113	113	113
h1		9.6	15	19.2	20	20	21.4	5.5	5.5	5.5
k		33	33	34	41	41	41.5	55	55	55
l		44	52	54.5	58	58	62	88	88	88
Conductor crosssectional area (mm <sup>2</sup> ) Min. To Max		1.5-2.5			4-6			10-16		

Note: 110V, 500V Available on Request

# CEE/IEC International Standard panel Mounted Angle Socket

Conform to European / international standard EN/IEC 60309-2



## IP 44 Panel Mounted Socket Model

Amps	Poles	230 V	400 V	STD . Pack	Weight g/Pc
16	3	IP01634-1463	-	10	130
	4	-	IP01644-1467	10	185
	5	-	IP01654-1473	10	205
32	3	IP03234-1492	-	10	236
	4	-	IP03244-1496	10	250
	5	-	IP03254-1500	10	288
63	3	IP06334-1147	-	1	520
	4	-	IP06344-1151	1	567
	5	-	IP06354-1155	1	625

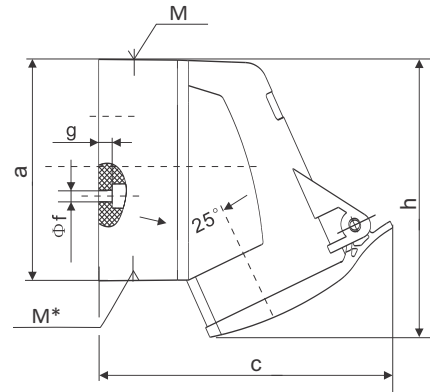
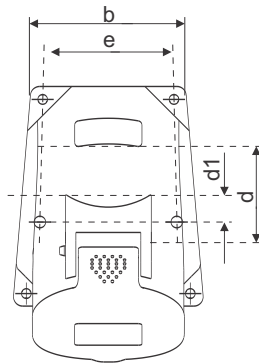
## Dimension in mm

Amps	16			32			63			
	Poles	3	4	5	3	4	5	3	4	5
a		73.5	100	100	100	100	100	110	110	110
b		64	92	92	92	92	92	106	106	106
c		52	58	58	59	59	60	67.5	67.5	67.5
d		60	85	85	85	85	85	85	85	85
e		52	77	77	77	77	77	77	77	77
f		5.3	5.3	5.3	5.5	5.5	5.5	6.5	6.5	6.5
g		7	8	8	8	8	8	12	12	12
g.1		2	2	2	2	2	2	2	2	2
h		79	105	108	107	107	112	134	134	134
k		46	32	33	55	55	48	62	62	62
l		55	70	70	73	73	75	86	86	86
l1		65	80	80	85	85	86	99	99	99
α		20°	20°	20°	20°	20°	20°	20°	20°	20°
Conductor crosssectional area (mm <sup>2</sup> ) Min. To Max		1.5-2.5			4-6			10-16		

Note: 110V, 500V Available on Request

# CEE/IEC International Standard Wall Mounted Socket

Conform to European / international standard EN/IEC 60309-2



## IP 44 Surface Mounted Socket

Amps	Poles	230 V	400 V	STD . Pack	Weight g/Pc
16	3	IP01634-101	-	10	183
	4	-	IP01644-105	10	235
	5	-	IP01654-111	10	257
32	3	IP03234-1421	-	10	351
	4	-	IP03244-1425	10	348
	5	-	IP03254-1557	10	403
63	3	IP06334-1137	-	1	857
	4	-	IP06344-1141	1	901
	5	-	IP06354-1145	1	925

## Dimension in mm

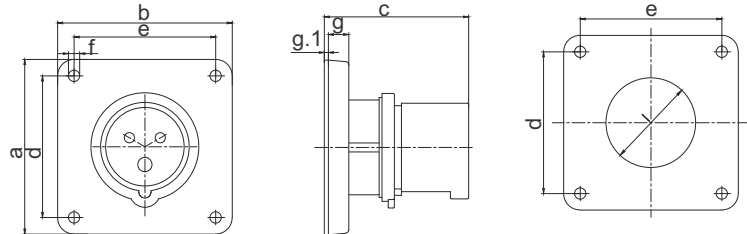
Amps	16			32			63			
	Poles	3	4	5	3	4	5	3	4	5
a		87	100	100	128	128	128	171	171	171
b		62	67	67	71	71	71	95	95	95
c		110	125	131	147	147	152	165	165	165
d		40	-	-	11	11	11	133	133	133
d1		-	11	11	68	68	68	108	108	108
e		50	59	59	5.3	5.3	5.3	6	6	6
f		4.5	5	5	4	4	4	5	5	5
g		4	4	4	158	158	160	216	216	216
h		115	118	128	32	32	32	40	40	40
M		20	20	20						
M*		1Pcs M25 Blind Cable Entry Can Cut			1Pcs M32 Blind Cable Entry Can Cut			1Pcs M40 Blind Cable Entry Can Cut		
Conductor crossectional area (mm <sup>2</sup> ) Min. To Max		1.5-2.5			4-6			10-16		

Note : 110V, 500V Available on Request



# CEE/IEC International Standard panel Mounted Inlet

Conform to European / international standard EN/IEC 60309-2



## IP 44 Panel Mounted Inlet

Amps	Poles	230 V	400 V	STD . Pack	Weight g/Pc
16	3	IP01634-812	-	10	137
	4	-	IP01644-813	10	154
	5	-	IP01654-815	10	170
32	3	IP03234-817	-	10	195
	4	-	IP03244-819	10	213
	5	-	IP03254-821	10	242
63	3	IP06334-1981	-	1	365
	4	-	IP06344-1982	1	481
	5	-	IP06354-1688	1	533

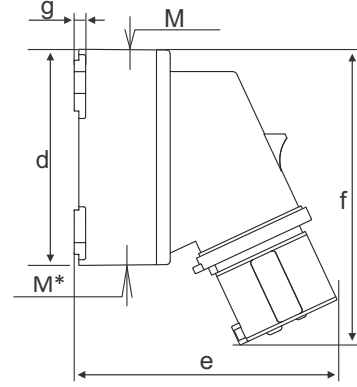
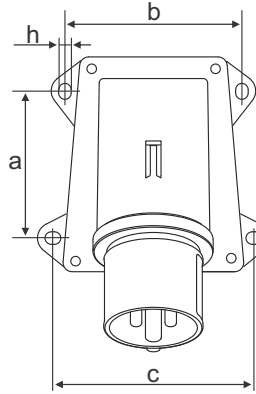
## Dimension in mm

Amps	16			32			63			
	Poles	3	4	5	3	4	5	3	4	5
a		85.7	85.7	85.7	85.7	85.7	85.7	110	110	110
b		85.7	85.7	85.7	85.7	85.7	85.7	106	106	106
c		72	72	72	90	90	90	85	85	85
d		69.5	69.5	69.5	69.5	69.5	69.5	90	90	90
e		69.5	69.5	69.5	69.5	69.5	69.5	90	90	90
f		5.5	5.5	5.5	5.5	5.5	5.5	5.5	5.5	5.5
g		10	10	10	10	10	10	11	11	11
g.1		2	2	2	2	2	2	2	2	2
l		32	36	42	47	47	50	80	80	80
Conductor crosssectional area (mm <sup>2</sup> ) Min. To Max		1.5-2.5			4-6			10-16		

Note : 110V, 500V Available on Request

# CEE/IEC International Standard Wall Mounted Inlet

Conform to European / international standard EN/IEC 60309-2



## IP 44 Surface Mounted Inlet

Amps	Poles	230 V	400 V	STD . Pack	Weight g/Pc
16	3	IP01634-332	-	10	137
	4	-	IP01644-336	10	154
	5	-	IP01654-342	10	170
32	3	IP03234-344	-	10	195
	4	-	IP03244-348	10	213
	5	-	IP03254-354	10	242
63	3	IP06334-3606	-	1	868
	4	-	IP06344-3607	1	926
	5	-	IP06354-3608	1	960

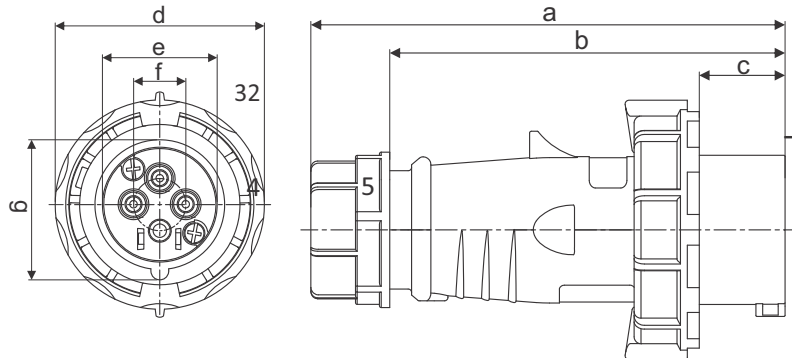
## Dimension in mm

Amps	16			32			63			
	Poles	3	4	5	3	4	5	3	4	5
a		64.2	64.2	64.2	90.2	90.2	90.2	133.3	133.3	133.3
b		77.5	77.5	77.5	79	79	79	107.8	107.8	107.8
c		88	88	88	98.5	98.5	98.5	136	136	136
d		94.6	94.6	94.6	120.7	120.7	120.7	171.3	171.3	171.3
e		114.9	122.6	129.9	145	145	151.8	180.1	180.1	180.1
f		129.4	129.9	128.3	162.8	162.8	161.8	219.4	219.4	219.4
g		5.5	5.5	5.5	5.5	5.5	5.5	6	6	6
h		5	5	5	5	5	5	5	5	5
M		25	25	25	32	32	32	40	40	40
M*		1Pcs M25 Blind Cable Entry Can Cut			1Pcs M32 Blind Cable Entry Can Cut			1Pcs M40 Blind Cable Entry Can Cut		
Conductor crosssectional area (mm²) Min. To Max		1.5-2.5			4-6			10-16		

Note : 110V, 500V Available on Request

# CEE/IEC International Standard Plug

Conform to European / international standard EN/IEC 60309-2



## IP 67 Plug

Amps	Poles	230 V	400 V	STD . Pack	Weight g/Pc
16	3	IP01636-278	-	10	157
	4	-	IP01644-282	10	163
	5	-	IP01656-288	10	210
32	3	IP03236-290	-	10	291
	4	-	IP03246-294	10	315
	5	-	IP03256-300	10	327
63	3	IP06336-1571	-	1	661
	4	-	IP06346-1110	1	725
	5	-	IP06356-1114	1	776
125	3	IP12536-3400	-	1	1095
	4	-	IP12546-1443	1	1220
	5	-	IP12556-1447	1	1331

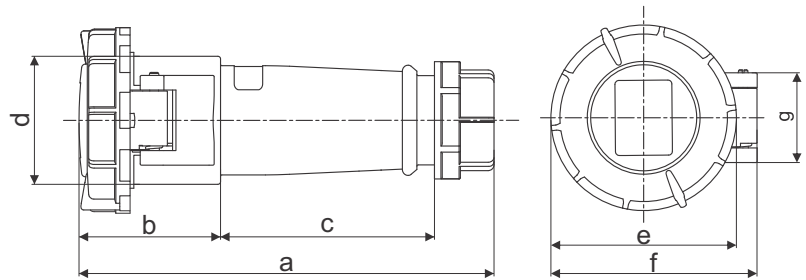
## Dimension in mm

Amps	16			32			63			125			
	Poles	3	4	5	3	4	5	3	4	5	3	4	5
a		140	142	144	173	173	177	238.9	238.9	238.9	286	286	286
b		116	119	121	144	144	148	179.5	179.5	179.5	219	219	219
c		24.7	26	27	32.5	32.5	32.5	51.1	51.1	51.1	57	57	57
d		70.2	78	87	93.3	93.3	101	112.9	112.9	112.9	133	133	133
e		38.5	43.8	50	51	51	56.5	63	63	63	75.1	75.1	75.1
f		17.5	21.5	26.5	25	25	30.3	36.5	36.5	36.5	42.5	42.5	42.5
g		47	52	60	62	62	68.7	75.3	75.3	75.3	87.2	87.2	87.2
Conductor crosssectional area (mm²) Min. To Max		1.5-2.5			4-6			10-16			25-35		

Note : 110V, 500V Available on Request

# CEE/IEC International Standard Connector

Conform to European / international standard EN/IEC 60309-2



## IP 67 Connector

Amps	Poles	230 V	400 V	STD . Pack	Weight g/Pc
16	3	IP01636-540	-	10	196
	4	-	IP01644-544	10	227
	5	-	IP01656-550	10	265
32	3	IP03236-552	-	10	350
	4	-	IP03246-556	10	409
	5	-	IP03256-562	10	437
63	3	IP06336-1574	-	1	748
	4	-	IP06346-1117	1	781
	5	-	IP06356-1121	1	850
125	3	IP12536-3390	-	1	1240
	4	-	IP12546-1450	1	1372
	5	-	IP12556-1454	1	1514

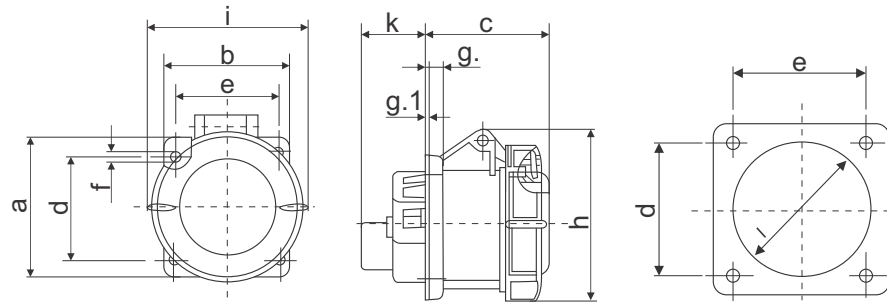
## Dimension in mm

Amps	16			32			63			125			
	Poles	3	4	5	3	4	5	3	4	5	3	4	5
a		160	164	167	203	203	205.5	260	260	260	315	315	315
b		54.7	55.5	56.3	67.5	67.5	68	104	104	104	116	116	116
c		90	101	103	100	100	137.7	95	95	95	130	130	130
d		49.5	55.7	63	64.2	64.2	70.8	77.4	77.4	77.4	89.5	89.5	89.5
e		71.7	80.6	89	95.5	95.5	101.9	109	109	109	121	121	121
f		79.7	85.6	93	98.3	98.3	104.9	112.5	112.5	112.5	125	125	125
g		34.7	37	37	37	37	37	34	34	34	34.5	34.5	34.5
Conductor crosssectional area (mm <sup>2</sup> ) Min. To Max		1.5-2.5			4-6			10-16			25-35		

Note : 110V, 500V Available on Request

# CEE/IEC International Standard Panel Mounted Straight Socket

Conform to European / international standard EN/IEC 60309-2



## IP 67 Panel Mounted Straight Socket

Amps	Poles	230 V	400 V	STD . Pack	Weight g/Pc
16	3	IP01636-218	-	10	160
	4	-	IP01644-222	10	183
	5	-	IP01656-228	10	221
32	3	IP03236-230	-	10	266
	4	-	IP03246-234	10	293
	5	-	IP03256-240	10	314
63	3	IP06336-1264	-	1	567
	4	-	IP06346-1124	1	604
	5	-	IP06356-1128	1	664
125	3	IP12536-3380	-	1	1001
	4	-	IP12546-1457	1	1135
	5	-	IP12556-1461	1	1256

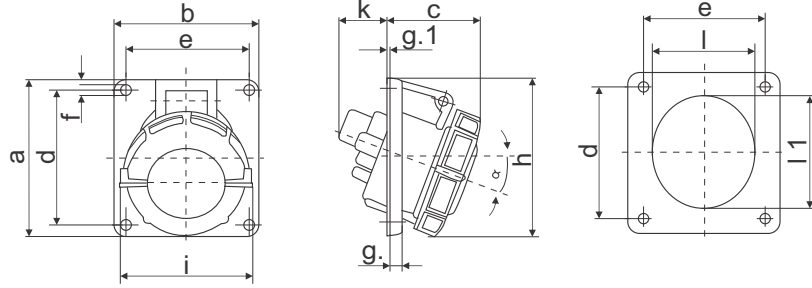
## Dimension in mm

Amps	16			32			63			125			
	Poles	3	4	5	3	4	5	3	4	5	3	4	5
a		75	75	75	85	85	85	107	107	107	130	130	130
b		75	75	75	75	75	75	100	100	100	130	130	130
c		55	56	59	68	68	69	84	84	84	116	116	116
d		60	60	60	60	60	60	85	85	85	104	104	104
e		60	60	60	60	60	60	77	77	77	104	104	104
f		5.5	5.5	5.5	5.5	5.5	5.5	6.5	6.5	6.5	6.5	6.5	6.5
g		10	10	10	10	10	10	14	14	14	19.5	19.5	19.5
g.1		2	2	2	2	2	2	2	2	2	2	2	2
h		83	88	93	99	99	105	113	113	113	128	128	128
i		78	85	93	103	103	110	118	118	118	135	135	135
k		30	31	32	40	40	41	55	55	55	43	43	43
l		45	54	55	60	60	62	88	88	88	95	95	95
Conductor Cross Section area (mm <sup>2</sup> ) Min. To Max		1.5-2.5			4-6			10-16			25-35		

Note : 110V, 500V Available on Request

# CEE/IEC International Standard panel Mounted Angle Socket

Conform to European / international standard EN/IEC 60309-2



## IP 67 Panel Mounted Angle Socket

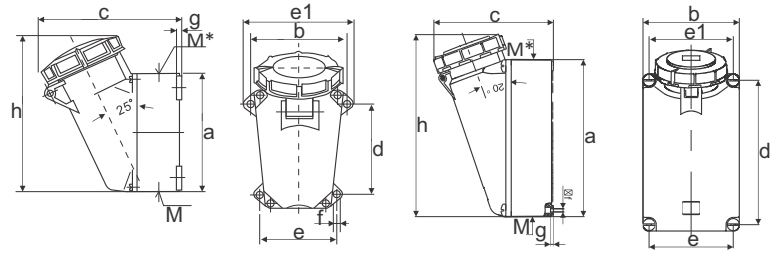
Amps	Poles	230 V	400 V	STD . Pack	Weight g/Pc
16	3	IP01636-1475	-	10	151
	4	-	IP01644-1479	10	203
	5	-	IP01656-1485	10	237
32	3	IP03236-1502	-	10	281
	4	-	IP03246-1506	10	291
	5	-	IP03256-1551	10	334
63	3	IP06336-2180	-	1	520
	4	-	IP06346-205	1	607
	5	-	IP06356-209	1	668
125	3	IP12536-3575	-	1	840
	4	-	IP12546-212	1	940
	5	-	IP12556-216	1	1171

## Dimension in mm

Amps	16			32			63			125			
	Poles	3	4	5	3	4	5	3	4	5	3	4	5
a		73.5	100	100	100	100	100	110	110	110	114	114	114
b		64	92	92	92	92	92	106	106	106	110	110	110
c		52	59	62	64	64	66	83	83	83	75	75	75
d		60	85	85	85	85	85	85	85	85	90	90	90
e		52	77	77	77	77	77	77	77	77	90	90	90
f		5.3	5.3	5.3	5.5	5.5	5.5	6.5	6.5	6.5	6.2	6.2	6.2
g		7	8	8	8	8	8	12	12	12	13	13	13
g1		2	2	2	2	2	2	2	2	2	2	2	2
h		84	103	105	109	109	113	115	115	115	125	125	125
i		78	85	96	103	103	110	117	117	117	135	135	135
k		46	32	33	55	55	48	86	86	86	100	100	100
l		55	70	70	70	70	73	99	99	99	107	107	107
l1		65	80	80	82	82	85	62	62	62	98	98	98
∞		20°	20°	20°	20°	20°	20°	20°	20°	20°	15°	15°	15°
Conductor crosssectional area (mm²) Min. To Max		1.5-2.5			4-6			10-16			25-35		

# CEE/IEC International Standard Wall Mounted Socket

Conform to European / international standard EN/IEC 60309-2



## IP 67 Surface Mounted Socket

Amps	Poles	230 V	400 V	STD . Pack	Weight g/Pc
16	3	IP01636-1192	-	10	241
16	4	-	IP01644-1196	10	267
16	5	-	IP01656-1200	10	320
32	3	IP03236-1202	-	10	374
32	4	-	IP03246-1206	10	393
32	5	-	IP03256-1210	10	451
63	3	IP06336-128	-	1	900
63	4	-	IP06346-132	1	940
63	5	-	IP06356-136	1	1010
125	3	IP12536-1381	-	1	1840
125	4	-	IP12546-139	1	1970
125	5	-	IP12556-143	1	2100

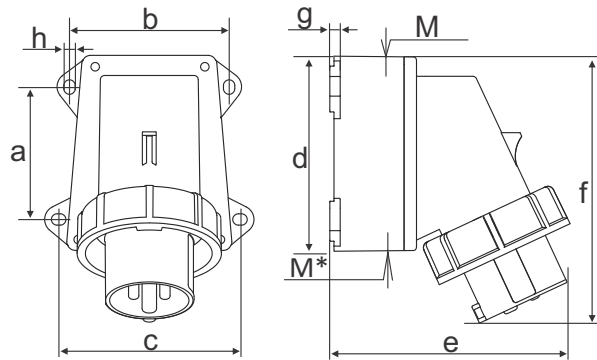
## Dimension in mm

Amps	16			32			63			125			
	Poles	3	4	5	3	4	5	3	4	5	3	4	5
a		95	95	95	120	120	120	171.3	171.3	171.3	262	262	262
b		102	102	102	112	112	112	157	157	157	160	160	160
c		115	124	129	143	143	150	169	169	169	202	202	202
d		64.2	64.2	64.2	90.2	90.2	90.2	133.3	133.3	133.3	240	240	240
e		77.5	77.5	77.5	79	79	79	108	108	108	140	140	140
e1		88	88	88	98.5	98.5	98.5	136	136	136	140	140	140
f		5.5	5.5	5.5	5.5	5.5	5.5	6	6	6	8.1	8.1	8.1
g		5	5	5	5	5	5	5	5	5	8	8	8
h		130	134	138	160	160	160	216	216	216	140	140	140
M		25	25	25	32	32	32	40	40	40	50	50	50
M*		1Pcs M25 Blind Cable Entry Can Cut			1Pcs M32 Blind Cable Entry Can Cut			1Pcs M40 Blind Cable Entry Can Cut			2x40	2x40	2x40
Conductor crosssectional area (mm <sup>2</sup> ) Min. To Max		1.5-2.5			4-6			10-16			25-35		

Note : 110V, 500V Available on Request

# CEE/IEC International Standard Wall Mounted Inlet

Conform to European / international standard EN/IEC 60309-2



## IP 67 Surface Mounted Inlet

Amps	Poles	230 V	400 V	STD . Pack	Weight g/Pc
16	3	IP01636-1003	-	10	177
	4	-	IP01646-1004	10	175
	5	-	IP01656-1005	10	207
32	3	IP03236-1006	-	10	234
	4	-	IP03246-1007	10	253
	5	-	IP03256-1008	10	292
63	3	IP06336-1107	-	1	873
	4	-	IP06346-357	1	931
	5	-	IP06356-361	1	975

## Dimension in mm

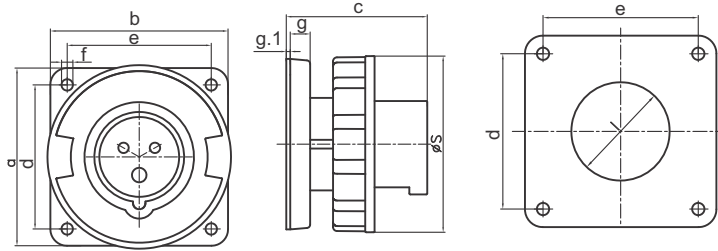
Amps	16			32			63			
	Poles	3	4	5	3	4	5	3	4	5
a		64.2	64.2	64.2	90.2	90.2	90.2	133.3	133.3	133.3
b		77.5	77.5	77.5	79	79	79	107.8	107.8	107.8
c		88	88	88	98.5	98.5	98.5	136	136	136
d		94.6	94.6	94.6	120.7	120.7	120.7	171.3	171.3	171.3
e		116.5	105	134.4	148.4	148.4	155.4	180.1	180.1	180.1
f		129.4	129.9	128.3	162.8	162.8	161.8	219.4	219.4	219.4
h		5.5	5.5	5.5	5.5	5.5	5.5	6	6	6
g		5	5	5	5	5	5	5	5	5
M		25	25	25	32	32	32	40	40	40
M*		1Pcs M25 Blind Cable Entry Can Cut			1Pcs M32 Blind Cable Entry Can Cut			1Pcs M40 Blind Cable Entry Can Cut		
Conductor crosssectional area (mm²) Min. To Max		1.5-2.5			4-6			10-16		

Note : 110V, 500V Available on Request



# CEE/IEC International Standard panel Mounted Inlet

Conform to European / international standard EN/IEC 60309-2



## IP 67 Panel Mounted Inlet

Amps	Poles	230 V	400 V	STD . Pack	Weight g/Pc
16	3	IP01636-826	-	10	171
	4	-	IP01644-827	10	175
	5	-	IP01656-829	10	207
32	3	IP03236-831	-	10	234
	4	-	IP03246-832	10	253
	5	-	IP03256-834	10	292
63	3	IP06336-836	-	1	475
	4	-	IP06346-3656	1	558
	5	-	IP06356-3658	1	591
125	3	IP12536-3665	-	1	890
	4	-	IP12546-3583	1	1005
	5	-	IP12556-1983	1	1130

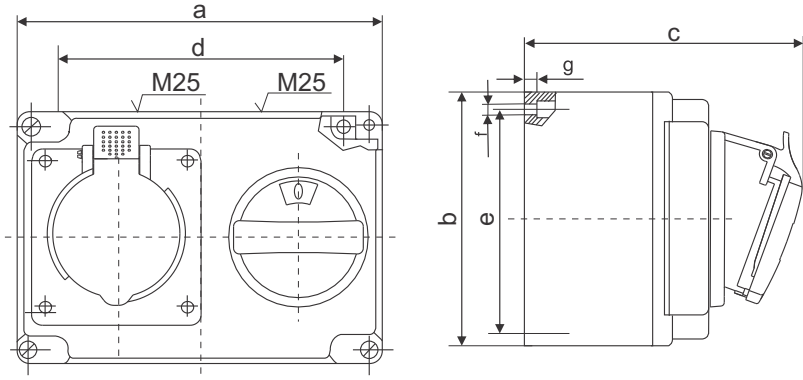
## Dimension in mm

Amps	16			32			63			125			
	Poles	3	4	5	3	4	5	3	4	5	3	4	5
a		85.7	85.7	85.7	85.7	85.7	85.7	110	110	110	130	130	130
b		85.7	85.7	85.7	85.7	85.7	85.7	106	106	106	130	130	130
c		72	72	72	90	90	90	86	86	86	112	112	112
d		69.5	69.5	69.5	69.5	69.5	69.5	90	90	90	104	104	104
e		69.5	69.5	69.5	69.5	69.5	69.5	90	90	90	104	104	104
f		5.5	5.5	5.5	5.5	5.5	5.5	5.5	5.5	5.5	6.5	6.5	6.5
g		10	10	10	10	10	10	11	11	11	18	18	18
g.1		2	2	2	2	2	2	2	2	2	2	2	2
l		32	36	42	47	47	50	80	80	80	95	95	95
s		71	79	89	94	94	102	113	113	113	132	132	132
Conductor crosssectional area (mm <sup>2</sup> ) Min. To Max		1.5-2.5			4-6			10-16			25-35		

Note : 110V, 500V Available on Request

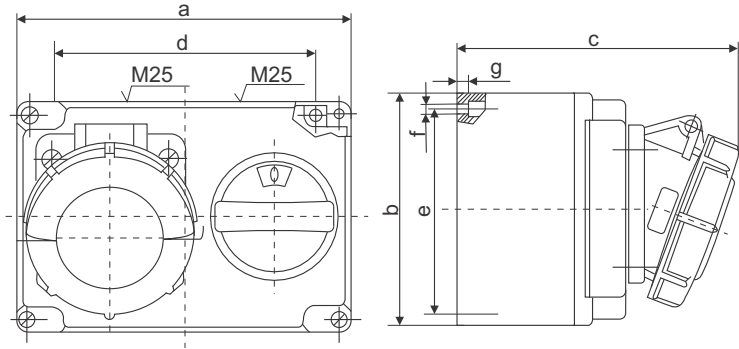
# CEE/IEC Socket with Switches and Mechanical Interlock

Conform to European / international standard EN/IEC 60309-2



## IP 44 Socket with Switches and Mechanical Interlock

Amps	Poles	230 V	400 V	STD . Pack	Weight g/Pc
16	3	IP01634-7274	-	1	1010
	4	-	IP01644-7275	1	1032
	5	-	IP01654-7276	1	1064



## IP 67 Socket with Switches and Mechanical Interlock

Amps	Poles	230 V	400 V	STD . Pack	Weight g/Pc
16	3	IP01636-7278	-	1	1010
16	4	-	IP01644-7279	1	1032
16	5	-	IP01654-7280	1	1064

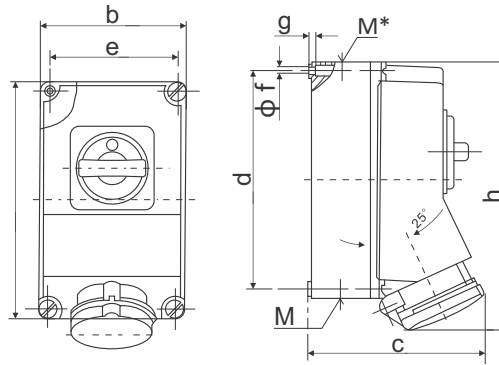
## Dimension in mm

Amps	16			
	Poles	3	4	5
a		170	170	170
b		118	118	118
c		134	137	141
d		136	136	136
e		104	104	104
f		6.1	6.1	6.1
g		2.5	2.5	2.5
M		25	25	25
Conductor crosssectional area (mm <sup>2</sup> ) Min. To Max		1.5-2.5		

Note : 110V, 500V Available on Request

# CEE/IEC International Standard Socket with Switches and Mechanical Interlock

Conform to European / international standard EN/IEC 60309-2



## IP 44 Socket with Switches and Mechanical Interlock

Amps	Poles	230 V	400 V	STD . Pack	Weight g/Pc
16	3	IP01634-7002	-	1	995
	4	-	IP01644-5100	1	1000
	5	-	IP01654-5103	1	1025
32	3	IP03234-5696	-	1	1100
	4	-	IP03244-5105	1	1145
	5	-	IP03254-5108	1	1200
63	3	IP06334-6571	-	1	2260
	4	-	IP06344-5956	1	2305
	5	-	IP06354-5959	1	2535

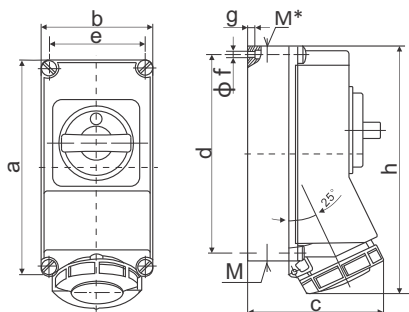
## Dimension in mm

Amps	16			32			63			
	Poles	3	4	5	3	4	5	3	4	5
a		225	225	225	225	225	225	262	262	262
b		118	118	118	118	118	118	162	162	162
c		139	141	143	144	144	148	192	192	192
d		208	208	208	208	208	208	240	240	240
e		101	101	101	101	101	101	140	140	140
f		6.3	6.3	6.3	6.3	6.3	6.3	8.1	8.1	8.1
g		8	8	8	8	8	8	8.3	8.3	8.3
h		250	252	254	264	264	268	300	300	300
M		2x25	2x25	2x25	2x25	2x25	2x25	2x40	2x40	2x40
M*		25/32	25/32	25/32	25/32	25/32	25/32	40	40	40
Conductor crosssectional area (mm <sup>2</sup> ) Min. To Max		1.5-2.5			4-6			10-16		

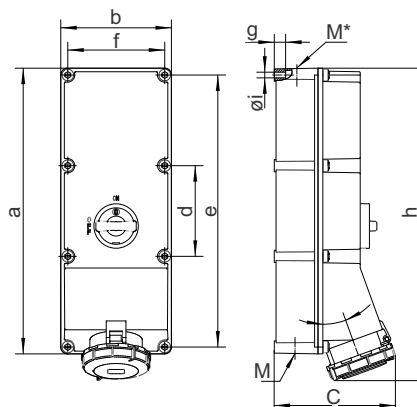
# CEE/IEC International Standard Socket with Switches and Mechanical Interlock Conform to European / international standard EN/IEC 60309-2



16 to 63 Amps



125 Amps



## IP 67 Socket with Switches and Mechanical Interlock

Amps	Poles	230 V	400 V	STD . Pack	Weight g/Pc
16	3	IP01636-7012	-	10	1010
	4	-	IP01646-5600	10	1032
	5	-	IP01656-5603	10	1064
32	3	IP03236-5793	-	10	1150
	4	-	IP03246-5605	10	1180
	5	-	IP03256-5608	10	1230
63	3	IP06336-5911	-	1	2340
	4	-	IP06346-5110	1	2366
	5	-	IP06356-5113	1	2585
125	4	-	IP12546-5691	1	4960
	5	-	IP12556-5692	1	5270

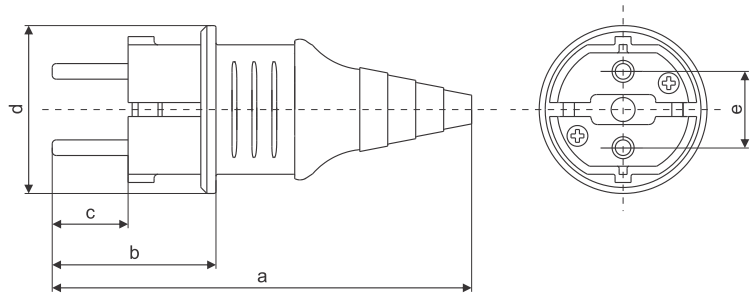
## Dimension in mm

Amps	16			32			63			125		
	Poles	3	4	5	3	4	5	3	4	5	4	5
a		225	225	225	225	225	225	262	262	262	501	501
b		118	118	118	118	118	118	162	162	162	194	194
c		144	146	147	152	152	153	196	196	196	213	213
d		208	208	208	208	208	208	240	240	240	159	159
e		101	101	101	101	101	101	140	140	140	477	477
f		6.3	6.3	6.3	6.3	6.3	6.3	8.1	8.1	8.1	170	170
g		8	8	8	8	8	8	8.3	8.3	8.3	13.5	13.5
h		252	255	259	268	268	274	300	300	300	548	548
i											6.2	6.2
M		2x25	2x25	2x25	2x25	2x25	2x25	2x40	2x40	2x40	1x40	1x50
M*		25/32	25/32	25/32	25/32	25/32	25/32	40	40	40	1x40	1x50
Conductor cross-sectional area (mm <sup>2</sup> ) Min. To Max		1.5-2.5			4-6			10-16			25-35	

# CEE/IEC International Standard SCHUKO Plug



Conform to Germany standard DIN49440-1



## IP 54 SCHUKO Plug

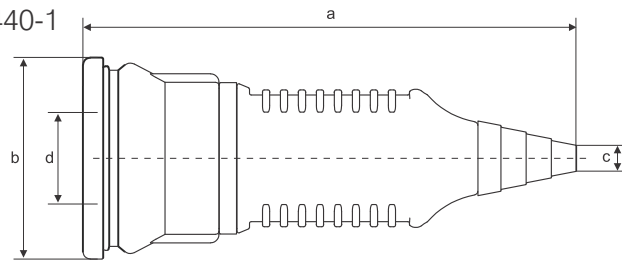
Color	Current	Voltage	Part Number	STD . Pack	Weight g/Pc
Grey	16	230		10	47
Black	16	230		10	47
Orange	16	230		10	47
Blue	16	230	IP01635-10838	10	47
Red	16	230		10	47
Yellow	16	230		10	47
Green	16	230		10	47
White	16	230		10	47

## Dimension in mm

Amps	16
Poles	2
a	105
b	42
c	19
d	41
e	19
Conductor crosssectional area (mm <sup>2</sup> )Min. To Max	1.5-2.5

# SCHUKO Connector

Conform to Germany standard DIN49440-1



## IP 54 SCHUKO Connector

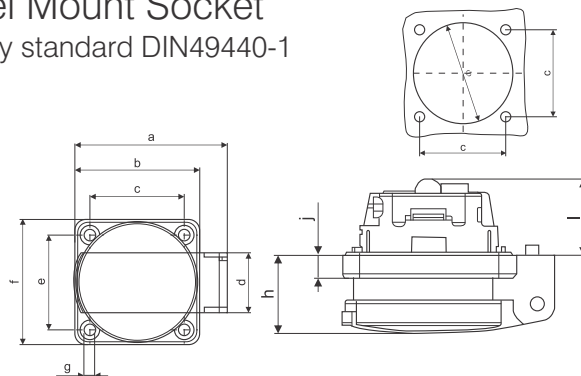
Color	Current	Voltage	Part Number	STD . Pack	Weight g/Pc
Grey	16	230		10	75
Black	16	230		10	75
Orange	16	230		10	75
Blue	16	230	IP01635-10843	10	75
Red	16	230		10	75
Yellow	16	230		10	75
Green	16	230		10	75
White	16	230		10	75

## Dimension in mm

Amps	16
Poles	2
a	131
b	57
c	5
d	19
Conductor crosssectional area (mm <sup>2</sup> )Min. To Max	1.5-2.5

# SCHUKO Panel Mount Socket

Conform to Germany standard DIN49440-1

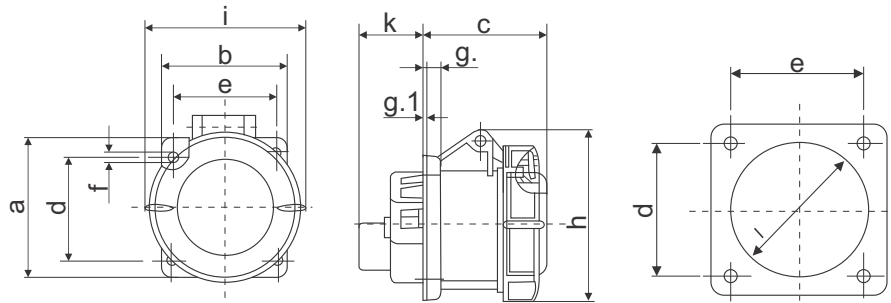


## IP 54 SCHUKO Socket

Color	Current	Voltage	Part Number	STD . Pack	Weight g/Pc
Grey	16	230	IP01635-11030	10	44
Blue	16	230	IP01635-11031	10	44
Black	16	230	IP01635-11032	10	44
Red	16	230	IP01635-11033	10	44
White	16	230	IP01635-110330	10	44

Amps	16
Poles	2
a	61
b	50
c	38
d	24.2
e	38
f	50
g	4.5
h	23
i	21.7
j	6.5
φ	44.5
Conductor crosssectional area (mm <sup>2</sup> )Min. To Max	1.5-2.5

## Plugs & Sockets For Reefer Containers

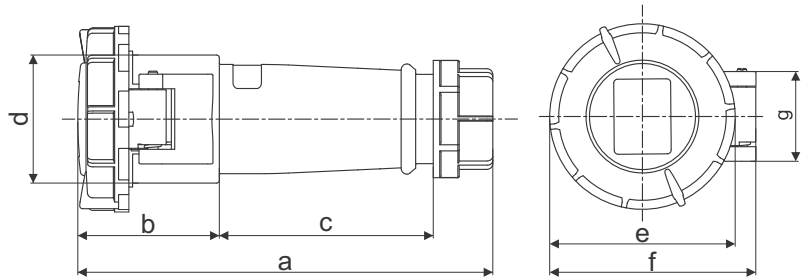


### IP 67 Reefer Container Panel Mounted Socket

Amps	Poles	400 V	STD . Pack	Weight g/Pc
32	4	IP03246-2123	1	1010

### Dimension in mm

Earth Contact Position 3h													
Amps	32	a	b	c	d	e	f	g.	g.1	h	h1	k	l
Poles	4	85	75	70	60	60	5.5	8	2	99	103	34	62
Conductor crosssectional area (mm <sup>2</sup> ) Min. To Max (2.5-10)													



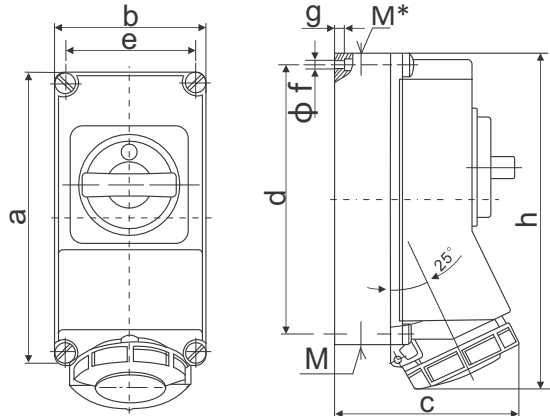
### IP 67 Reefer Container Connector

Amps	Poles	400 V	STD . Pack	Weight g/Pc
32	4	IP03246-2177	1	1010

### Dimension in mm

Earth Contact Position 3h								
Amps	32	a	b	c	d	e	f	g
Poles	4	203	67.5	135.7	64.2	95.5	98.3	37
Conductor cross-Sectional area (mm <sup>2</sup> ) Min. To Max (2.5-10)								

## Plugs & Sockets For Reefer Containers

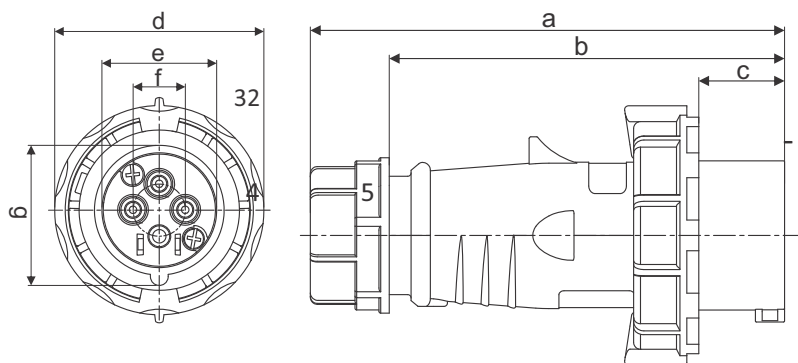


**IP 67 Reefer Container Socket with Mechanical Interlock**

Amps	Poles	400 V	STD . Pack	Weight g/Pc
32	4	IP03246-5792	1	1010

### Dimension in mm

Earth Contact Position 3h											
Amps	32	a	b	c	d	e	f	g	h	M	M*
Poles	4	225	118	152	208	101	6.3	8	268	2x32	2x25
Conductor cross-sectional area (mm <sup>2</sup> ) Min. To Max (2.5-10)											



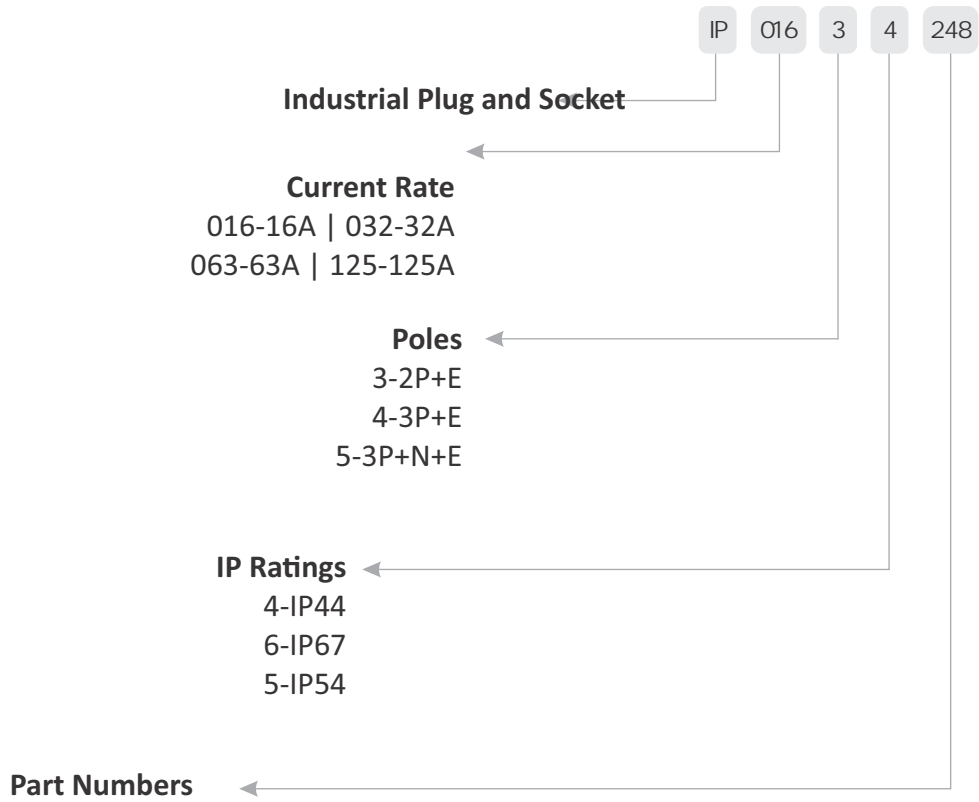
**IP 67 Reefer Container Plug**

Amps	Poles	400 V	STD . Pack	Weight g/Pc
32	4	IP03246-2175	1	1010

### Dimension in mm

Earth Contact Position 3h								
Amps	32	a	b	c	d	e	f	g
Poles	4	170	141	32.5	93.3	51	25	62.2
Conductor cross-Sectional area (mm <sup>2</sup> ) Min. To Max (2.5-10)								

# Product Ordering Code

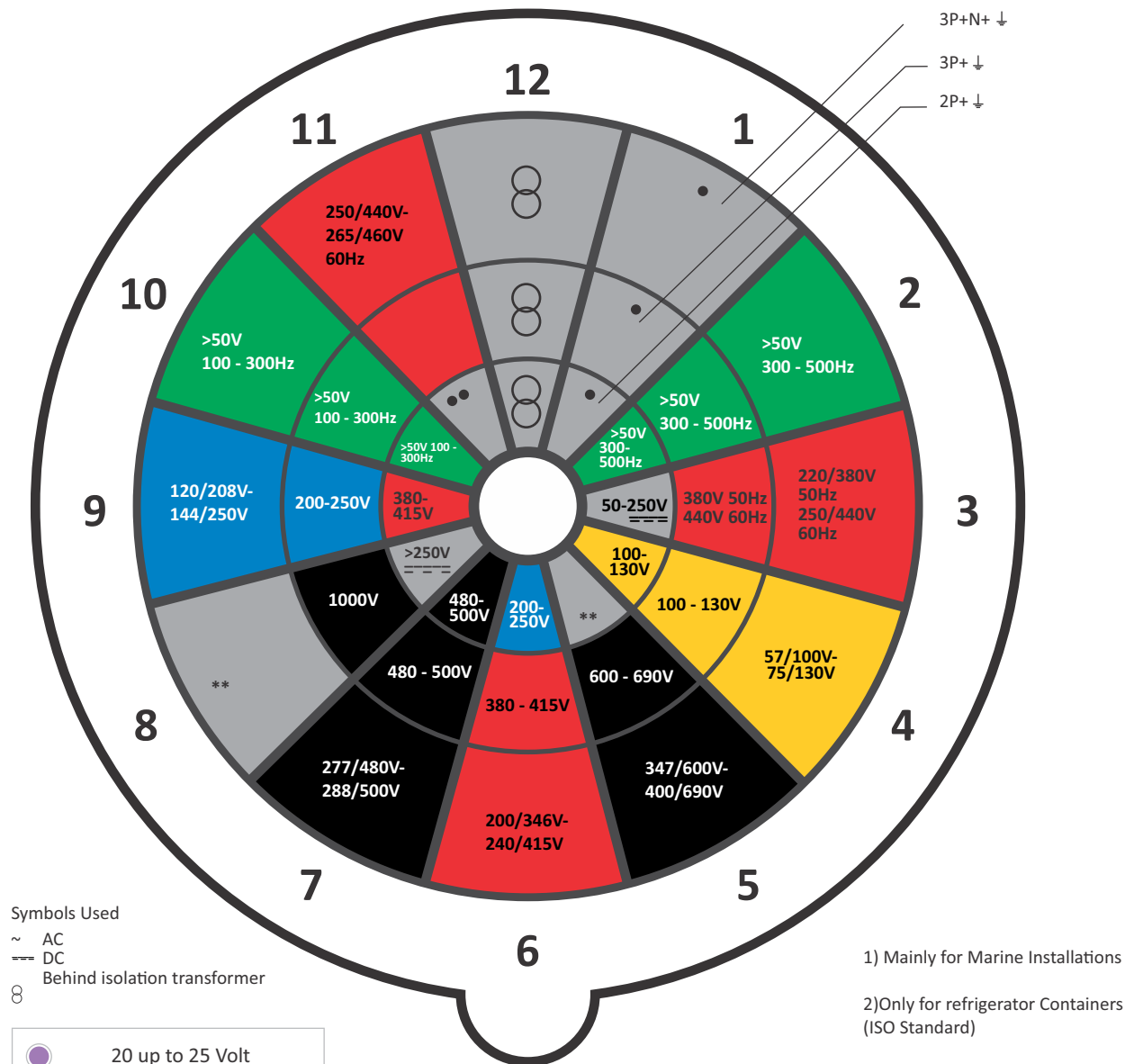




# Clock Position

The colour codes correspond to the nominal voltage and frequency, in accordance with CEI/IEC60309-1/2, EN60309-1/2, GB/T11918.1, GB/T11918.2, GB/T11918.4, DIN49462/49463 and BS4343 standard.

The diameter of the earth contact pin is larger than that of the phase contact pins, which prevents incorrect insertion. Position of ground contact sleeve with respect to major keyway for various voltage and frequencies.






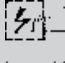
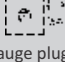
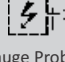

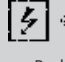


Plug and receptacles have detail marks for rated current, voltage, frequency, earth contact and keyway. Plug and receptacles with rated voltages above 50V must have an earth contact, use "Clock face number" plus "h" to indicate earth contact position.

Receptacle and connector "clock" position: Receptacles or connector keyway point to 6 o'clock position, the position of receptacle and connector earth contact is given as a clockface number.

# Ingress Protection Ratings & Technical Specification

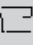



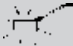
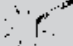
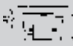
## 1st Number of the code:

Protection against the ingress of foreign bodies

Code	Description			
	Enclosure protected against ingress of:	Test	Protection against contact with:	Test
0				
1	Solid body larger than 50 mm	 Gauge plug diameter Ø 50 mm	Back of Hand	 Gauge Probe diameter Ø 50 mm
2	Solid body larger than 12.5 mm	 Gauge plug diameter Ø 12.5 mm	Finger	 Jointed metal finger
3	Solid body larger than 2.5 mm	 Gauge plug diameter Ø 2.5 mm	Tool	 Gauge Probe diameter Ø 2.5 mm
4	Solid body larger than 1 mm	 Gauge plug diameter Ø 1 mm	Wire	 Gauge Probe diameter Ø 1 mm
5	Dust in harmful quantities	 Talc		
6	Dust Overall	 Talc		

## 2nd Number of the code:

Protection against the ingress of moisture

Code	Description	
	Enclosure Protected against ingress of:	Test
0		
1	Drop of Water failing vertically	
2	Drop of Water failing vertically on enclosure inclined by up to 15	
3	Water Spray	
4	Splash Water	
5	Water jet	
6	Strong Water jet	
7	Temporary immersion	
8	Continuous immersion	By arrangement between manufacturer and user. Extra severe test conditions as compared to code 7
9	Water at high pressure and stream cleaning	

## Other Products

### Rotary Switches

AC Switch: 6 Amps - 400 Amps  
DC Switch: 16 to 500 Amps upto 250 V DC  
offered in various mounting options & custom built configuration switches



### Load Break Switches

Load Break (Isolator) range from 16 - 250 Ampere  
Changeover switches from 25 - 125 Amps upto 4 pole, offered with Sheet Steel, Aluminium & Plastic enclosures. IP65/NEMA rating.



### Photo Voltaic Isolators

**DC Isolators** : Range 25A to 63A upto 1000 VDC  
Standard Front Mounting, Door Interlock & Enclosure Mountings  
**DC Changeover** : Range 25A to 63A upto 1000 VDC  
Mounting Options : Standard Front Mounting, Door Interlock & Enclosure Mountings



### Cable Ducts

Wide range from (15x15mm) upto (150x150mm)  
Flame retardant UL94 V0 grade material,  
RoHS Compliant Ducts, offered in various colours & slotting styles



### Terminal Connectors

Range from 2.5 - 95 sq. mm  
Miniature, Double / Triple level connectors,  
Fuse, Ground, Disconnect, Distribution terminal Blocks & Screwless connectors



### General Purpose Relays

AC & DC relays ranging from 3 to 100 Ampere  
from 1 to 4 pole with  
status indication / Test button.  
PCB, Plug-in & Screw type terminals



### Contactors & Overload Relays

Standard Contactors 9A to 105 Amps  
Mini Contactor from 7A to 16 Amps & Control Relay 16 Amps. Bimetallic Over Load Relay from 0.28-112 Amps, with a wide range of Accessories



### Motor Protection Circuit Breaker (MPCB)

In 32 & 63 Amps, Motor Disconnect function, Branch circuit protection, Motor control & Overload protection  
Relay range upto 63 Amps with UL listing



### Toroidal Transformers / Current Transformers

Single Phase 15VA - 30KVA & Three Phase 1KVA - 120KVA. CT's : Accuracy Class of 0.2 to 3 with burden of 5 to 30VA, Primary Current upto 4000A & Secondary of 5A / 1A



### Transformers & Chokes / Inductors / Reactors

- Dry type Magnetics - VPI, AN - AF - Water Cooling etc.
- Transformers Range: 1KVA to 1MVA, 1Phase and 3Phase
- **Chokes / Inductors / Reactors Range:** 1KVAR to 1MVA 1Phase and 3 Phase



### Wires & Cables

Range from 0.5 sq mm to 300 sq mm  
Building Wires, Flexible Wires, Multi Core Cables, Flat Cables, HRFR, FRLS, ZHFR Wires, UL Rated Wires, Shielded & Braided Wires



### Limit & Foot Switches

Available in Normal / Snap action  
**Precision limit switches: 1NO + 1NC / 2NO + 2NC**  
Operating force: From Light to Heavy duty applications, Versatile mounting heads, Rugged aluminum die cast housing, With Guard / Shielded version, Twin also available, Zinc die casting housing available on request



**Salzer Electronics Limited, Unit-II**

ChinnamaddAmpsalayam, Bilichi Post, Coimbatore 641019. INDIA

Tel : +91-4254-272311 | 302000 | Fax : +91-4254-272012 | e-mail : salzer2@salzergroup.com

[www.salzergroup.com](http://www.salzergroup.com)