



RISHABH

Data Sheet

Nano 3 phase CT



- Compact 3 phase CT
- UL grade polymer
- IP 20 at secondary terminal
- Accuracy class of 0.5
- Compact dimensions and simple connection technology
- Easy Installation



Measure



Control



Record



Analyze

Rish Nano for the measurement of AC current

Rish Nano CT is a very reliable, efficient and robust current transformer for measurement of AC current. It provides 100 mA AC output. It can be used in

- Circuit breakers.
- Earth Leakage Protection.

Features

- 1) Measurement of AC current for frequency 50/60Hz .
- 2) High electric isolation between primary conductor and output.
- 3) Easy and safe electrical connection.
- 4) Primary rated current 63A,125A and 250A AC.
- 5) High system voltage
- 6) 1500 mm long Secondary Cable for 63 A, 125 A & 250 A product.

Technical data:

Rated Primary current	63A,125A and 250 A AC
Frequency range	50/60 Hz
Rated secondary current	100 mA AC
Burden	0.1 VA
Accuracy Class	0.5
Max. operating voltage U_m	0.72 kV, U
Applicable Standard:	IEC 61869-1 & IEC 61869-2
Thermal short circuit current	60 Ith
Dynamic Current	2.5 Ith
Insulation Class / Ingress Protection	E / IP 20
Thermal Class	B
Operating temperature:	$-25^{\circ} \text{C} < T_U < +60^{\circ} \text{C}$, 0...95% rH, without condensation
Storage temperature:	$-40^{\circ} \text{C} < T_L < +90^{\circ} \text{C}$



Measure



Control

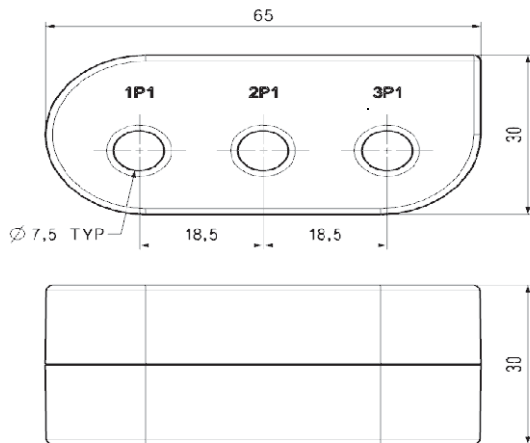


Record

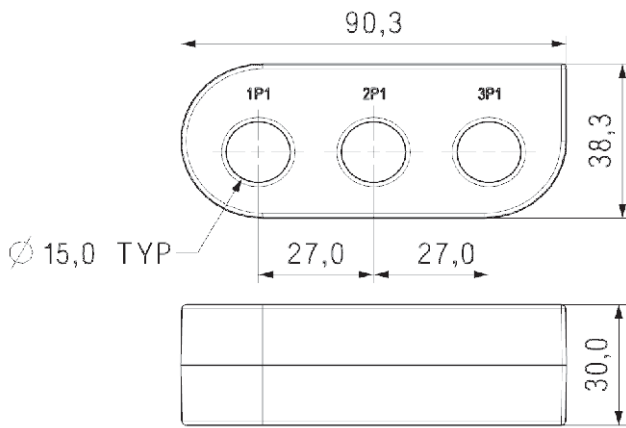


Analyze

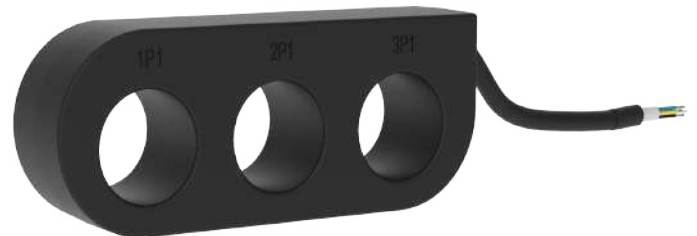
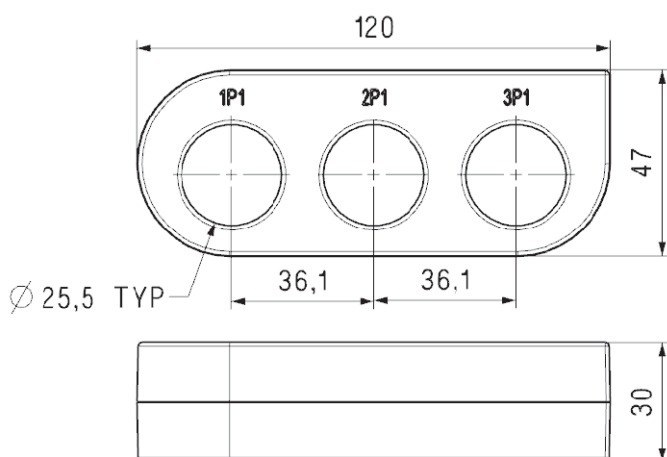
Nano 3 Phase CT Models:



X308: 63A



X306: 125A



X307: 250A



Measure



Control



Record

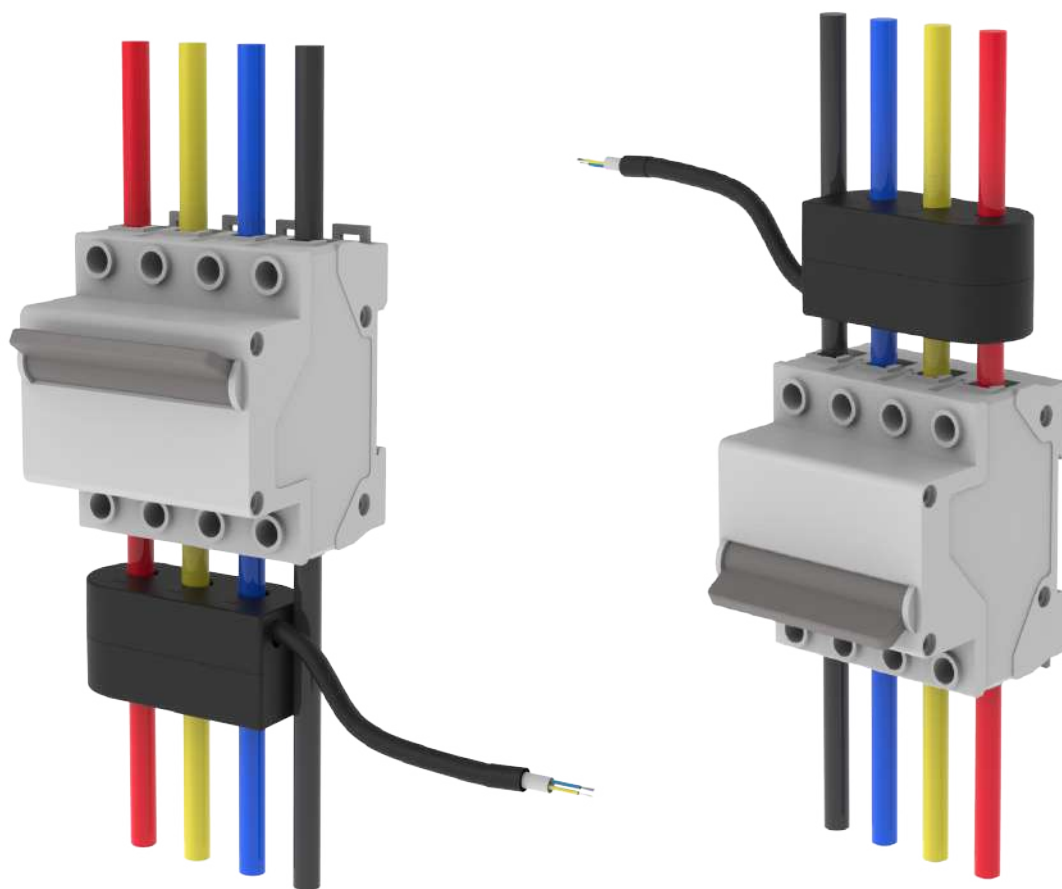


Analyze

Mounting / Installation of 3 Phase Nano CT

Installation in confined spaces, utilizing the space above the circuit breakers and earth leakage protection

In installations that allow the power supply to be shut down for the installation of transformers



Measure



Control



Record



Analyze

Ordering information:

X30X	xxx	xx	x	x	x	x	xx	xx
X306 X307 X308								
Primary current								
63 A	063							
125 A	125							
250 A	250							
Secondary								
100 mA AC		10						
Burden								
0.1 VA				1				
Accuracy Class								
0.5					1			
Colour								
Black						B		
Gray						G		
Company code								
RISHABH							R	
Other							L	
Customer specific								00
Reserved								00

Sr. No.	Ordering code	Description
1	X308-0631011BR0000	CTB 3PH 65/8 63/100mA,0.1/0.5
2	X306-1251011BR0000	CTB 3PH 90/15 125/100mA,0.1/0.5
3	X307-2501011BR0000	CTB 3PH 116/26 250/100mA,0.1/0.5



Measure



Control



Record



Analyze



RISHABH



Measure



Control



Record



Analyze

RISHABH INSTRUMENTS PVT. LTD.

Trishala Unit, C-6, NICE Area, MIDC, Satpur, Nashik - 422007, India.

Tel: +91 253 2202371 / 028 | Fax: +91 253 2351064 | E-mail: marketing@rishabh.co.in | www.rishabh.co.in